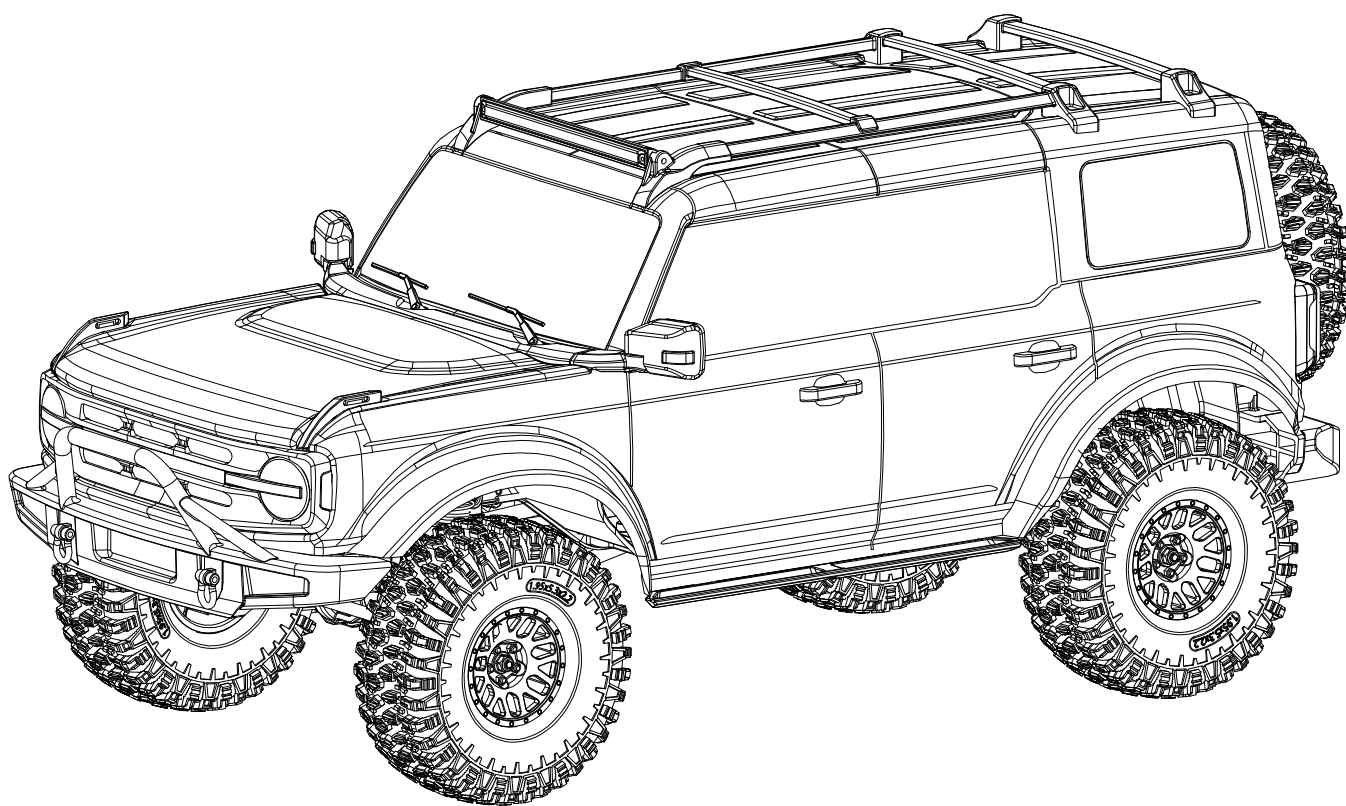


1/8电动四驱攀爬车YK4083

说明书

1/8 SCALE 4WD ROCK CRAWLER YK4083

MANUAL



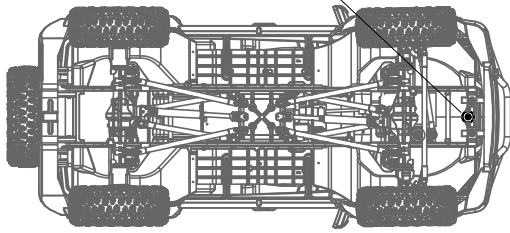
无论您是初学者或专业人士，在开始使用该产品前，请务必先认真阅读说明书，检查完各部件设定正常，以减少不必要的损失
Whether you are a beginner or professional, carefully read the ENTIRE instruction manual and inspect all the components are setting correctly before operating, to avoid unnecessary losses.

| | |
|----------------|-------|
| 目录..... | 2 |
| 操作说明和注意事项..... | 3~5 |
| 爆炸图..... | 6~23 |
| 配件表..... | 24~31 |

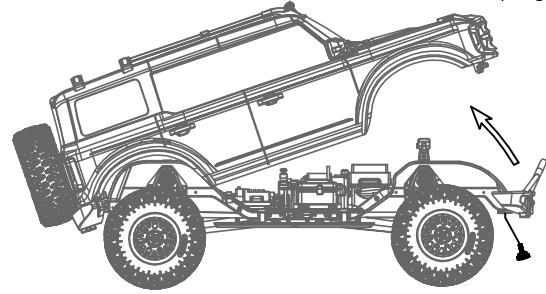
| | |
|-----------------------------------|-------|
| Table of Contents..... | 2 |
| Instructions and Precautions..... | 3~5 |
| Explode Diagram..... | 6~23 |
| Parts List..... | 24~31 |

操作说明 Instructions

从车底前杠中间位置，逆时针拧开旋钮
Turn the knob counterclockwise at the middle position of front bumper

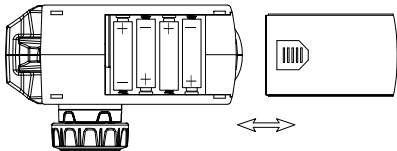


从车头两边伸入手指，稍用力往上翻开车壳
Step into the fingers from both sides of the car and turn the car shell up slightly



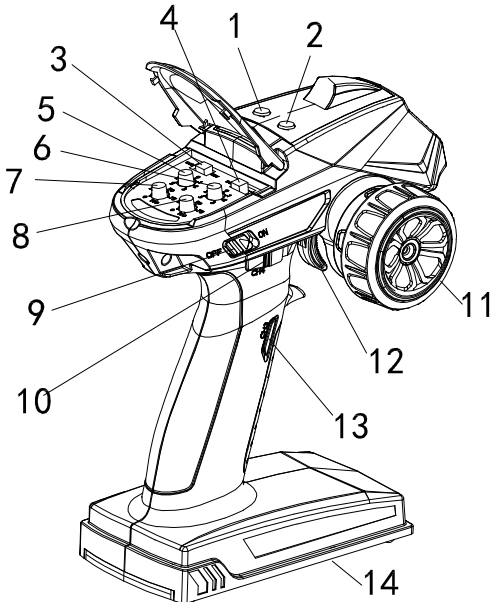
1. 向后上翻开车壳后。
After turning the bodyshell back.
2. 将充满电的电池装入电池盒，拉紧电池绑带。
Install fully charged battery in the battery box, then tighten battery strap.
3. 确保电调关闭，插入连接好电池线和电调线。
Make sure the ESC is off, plug in the battery cable and the ESC cable.
4. 打开电调开关，盖好车壳，准备遥控器设置。
Turn on the ESC, cover the bodyshell, and prepare the Radio system settings.

遥控器电池安装 Radio system instructions



1. 按箭头方向滑动，拆下或者安装发射机电池盖。
Slide in the direction of the arrow to remove or install the transmitter battery cover.
2. 装4颗电量充足的AA电池，注意电池尺寸正负极如图所示示意，不要装反。
Install 4 AA batteries with sufficient power, pay attention to battery size, Positive and negative as shown in the figure, do not install the opposite.

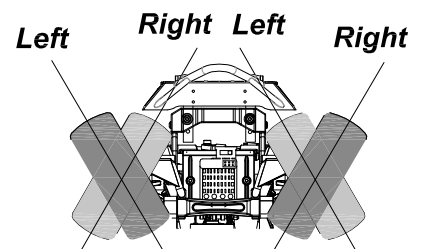
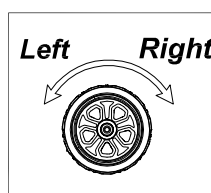
遥控器按键功能图 Function Switches



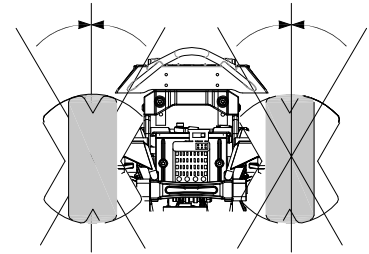
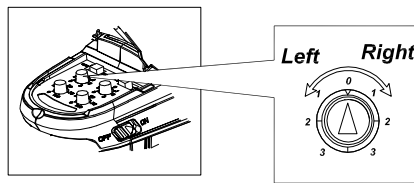
- | | |
|-------------------------------------------------------|----------------------------------------------------------------------------------------------------------------|
| 1. 锁前差速 (5通) Front differential lock (5th channel) | 9. 电源开关 Power switch |
| 2. 锁后差速 (6通) Rear differential lock (6th channel) | 10. 灯控 (4通) Light (4th channel) |
| 3. 转向正反开关 Steering forward and reverse switch. | 11. 转向轮: 左转向灯/右转向灯 (1通) Steering Wheel: Turn Signal light Left/Right (1st channel) |
| 4. 油门正反开关 Throttle front and back switch | 12. 油门/刹车扳手: 刹车灯/倒车灯 (2通) Throttle/Brake Triggler: Brake Light (2nd channel) |
| 5. 转向微调 Steering trimming | 13. 高低速换挡: 高速档转向灯 (3通) High and Low speed shift: Shift to High speed turn signal double flash (3rd channel) |
| 6. 油门微调 Throttle trimming | 14. 电池仓 Battery compartment |
| 7. 转向舵量 Steering rudder | |
| 8. 油门舵量 Throttle rudder | |

按下1, 2开关, 1, 2灯亮表示差速器锁止, 按下13开关13灯亮表示切换为高速。
Press the 1 and 2 switch, both buttons lights indicate the differentials are locked. Press 13 switch, the button light indicates switch to HIGH speed mode.

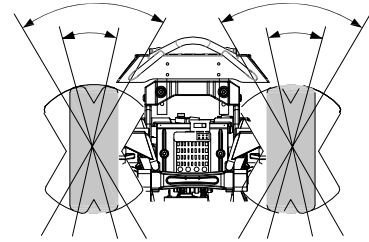
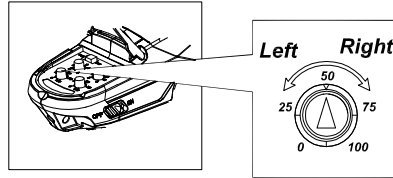
把方向轮往左或往右可使车相应往左转或往右转
Turn the steering wheel to the left or right to make the car turn left or right.



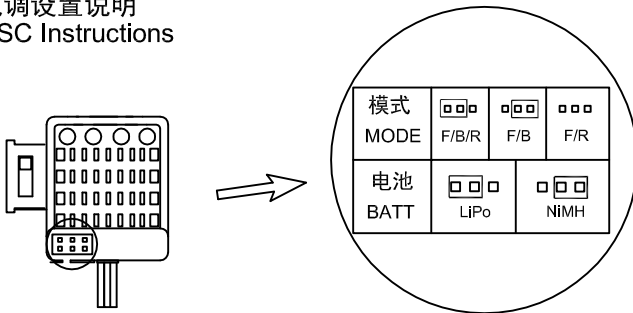
中位微调按钮向左或向右使前轮微小向左或者向右
Fine-tuning the button to the left or right to make the front wheel slightly left or right



舵量微调按钮向左或向右使前轮最大转向角度变小或者变大
Turn the steering rudder knob to adjust Front wheels with less or more steering angles



电调设置说明 ESC Instructions



F/B/R: 前进/刹车/后退模式 F/B: 前进/刹车模式
F/B/R: Forward/Brake/Reverse F/B: Forward/Brake
F/R: 前进/后退模式(攀爬模式)
F/B/R: Forward/Reverse(Crawler mode)

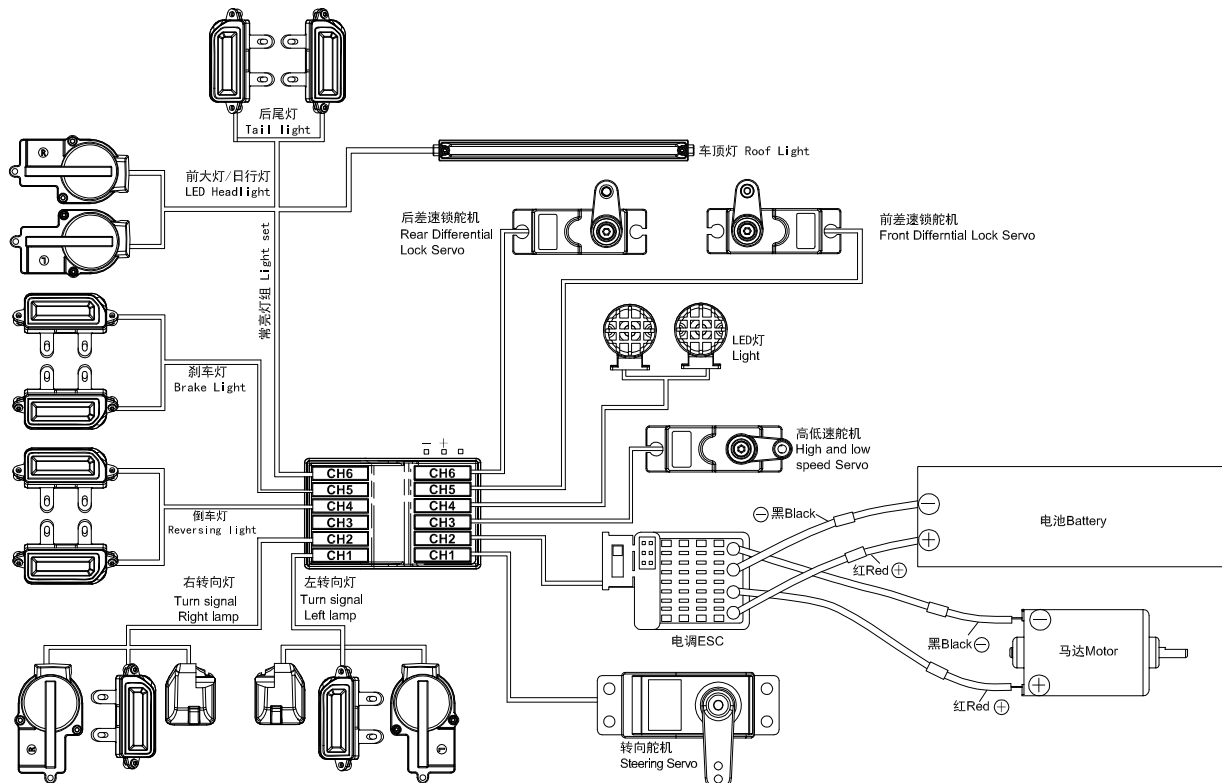
如图所示，电调跳线帽插入不同的位置，调整电调的模式和电池的类型，每次插好后需关掉电调重启生效。

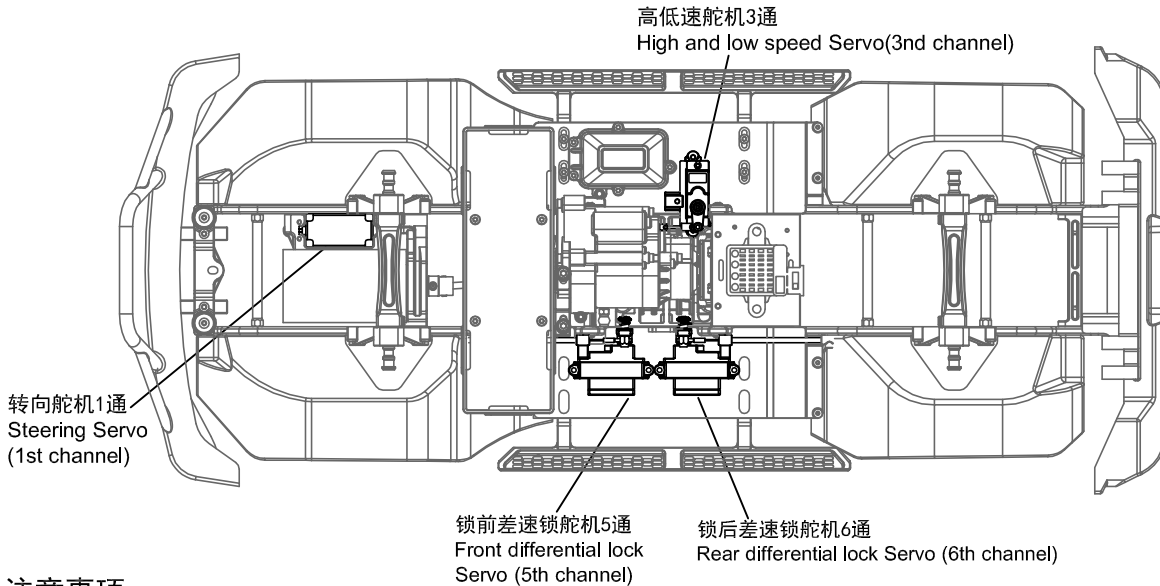
As the image shown, Jumper locations : to change the ESC mode and Battery(LiPo or NiMH). Kindly note restart the ESC to save the setting

电子设备的连接 Device connection

出厂前均连接好。接收机1通道连25KG伺服器控制转向，2通道连电调控制油门，3通道连 接17G舵机控制高低速换挡，4通道连接LED灯，5通道连接17G舵机控制前桥差速锁，6. 通道连接17G舵机控制后桥差速锁，注意电池，马达的连接，黑色负极，红色正极。

Connected well before leaving the factory. The 1 channel of the connector is connected to the 9KG servo to control the steering, the 2 channel is connected to the ESC control throttle, the 3 channel is connected to the 17G servo to control the high and low speed shifting, the 4 channel is connected to the LED light, and the 5 channel is connected to the 17G servo to control the front axle differential lock. The 6-channe is connected 17G servo to control the rear axle differential lock. Pay attention to the battery and motor connection, black negative, red positive.





注意事项 Precautions

- 玩车远离人群，儿童需在成人监护下使用，需大于14周岁。
Play away from the crowd, children need to be under adult supervision, need to be more than 14 years old.
- 电池充电时有任何过热变形，立即中断。不得长时间无人看守充电。
If there is any overheating deformation when the battery is charging, it will be interrupted immediately. Do not out of watching for a long time when is is charging.
- 电池电量不足时要及时更换，跑完玩车需要断电存放。
When the battery is low, it should be replaced in time. After running the car, you need to power off to store.
- 遥控系统有各种不同的功能和设置，初次接触前确保所有的功能设置完全理解。未能正确操作产品可能会导致损坏产品，个人财产和造成严重伤害。这是一个复杂的爱好产品。它必须谨慎和常识操作，并需要一些基本的机械能力。
The remote control system has a variety of different functions and settings, ensuring that all function settings are fully understood before initial contact. Failure to operate the product correctly can result in damage to the product, personal property and cause serious injury. This is a sophisticated hobby product. It must be operated with caution and common sense and requires some basic mechanical ability.

产品规格参数 Product specification:

| | |
|------------------------|----------|
| 车长Length: | 668MM |
| 车宽Width: | 295MM |
| 车高Height : | 285MM |
| 轮胎Tyre Diameter/Widht: | 135/50MM |
| 轴距Wheelbase: | 380MM |
| 车重 (RTR): | 4.2KG |
| 离去角Departure: | 55° |
| 接近角Approach: | 50° |
| 转向角度SteeringAngle: | 43° |
| 离地间隙Ground clearance: | 85MM |

| | 低速齿轮比: Low Speed Gear ratio | 高速齿轮比: High Speed Gear ratio |
|---------------------------|--------------------------------|---------------------------------|
| 马达齿16T Pinion Gear16T: | 1/37.1 | 1/15.1 |
| 马达齿18T Pinion Gear18T: | 1/33.0 | 1/13.4 |
| 马达齿20T Pinion Gear20T: | 1/29.7 | 1/12.1 |
| 马达齿22T Pinion Gear22T: | 1/27.0 | 1/11.0 |

维修服务

Repair service:

1. 车辆需要经常保养，特别是活动的零件部位，每次跑车完及时清除上面的尘土杂物。
The vehicle needs regular maintenance, especially the parts of the activity. Every time the sports car is finished, it will remove the dust and debris.
2. 定期检查车上有螺丝的地方，有必要就拧紧加固。
Regularly check the screws on the car and tighten them if necessary.
3. 经常检查车上面容易磨损的地方，有必要就换掉。
Always check the place where the car is easy to wear, and replace it if necessary.
4. 所有的零件都可以作为散件在爆炸图上找到编号，有损坏可以在零售商订购更换。有任何问题，都可以在零售商寻求帮助。
All parts can be found as parts on the exploded map. Damage can be ordered at the retailer. If you have any questions, you can ask for help at the retailer.

本模型特性

The characteristics of this model :

高级版配置 Advanced Version:

全新独特设计，前后桥可锁止差速机构
Remote Locking Differentials

全新独特设计，高低速任意切换，带过载保护装置
Two-speed with overload protection Transmission

全新独特设计，门式前后硬桥连接，更高通过性
Portal Axles provide 75mm ground clearance and eliminate torque twist

旋转式快拆车壳，旋转式快拆电池盒
Flip-top body with magnetic buckle and Hinged battery tray

6通道遥控
6 channel radio system

好赢有刷攀爬车专用电调
Hobbywing crawler ESC

攀爬车特制775黑皮马达
Crawler 775 motor

CNC铝合金可调马达座，机加工马达钢齿
CNC aluminum adjustable motor mount and CNC metal pinion gear

25KG全金属伺服器*1，0.9KG小伺服*3
25kg metal gear Servo x 1, and 0.9kg Servo x 3

全车采用进口高精度轴承
Imported High Precision sealed ball bearing

CNC5mm铝合金6061大梁
CNC 5mm 6061 aluminum frame

全车金属万向传动轴*6
Hardened steel universal drive shaft 6pcs

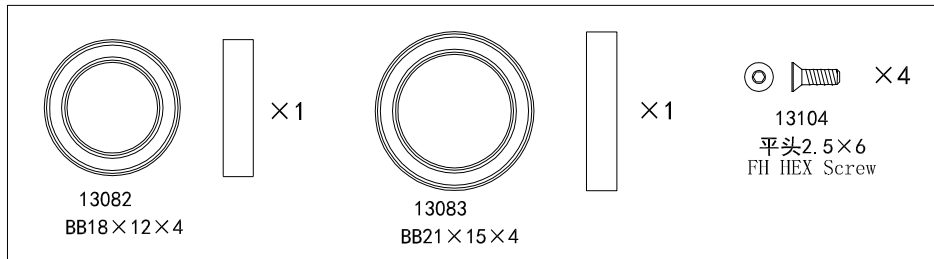
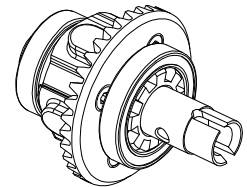
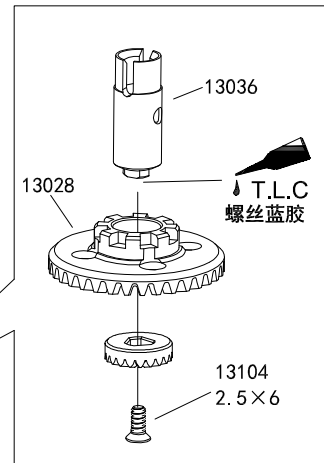
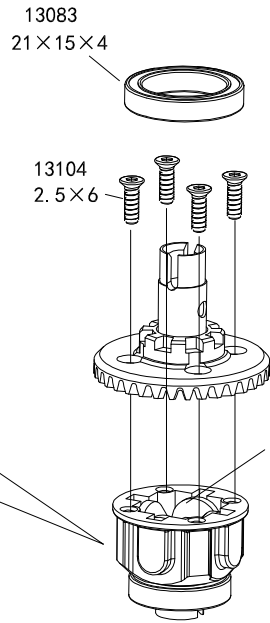
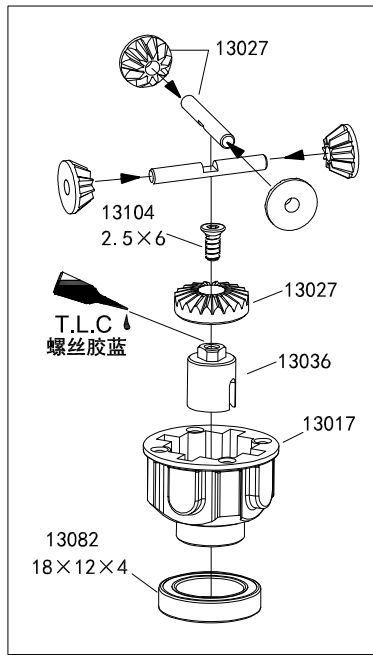
CNC铝合金可调避震器
CNC Alu Adjustable Shock Absorber

独特设计，转向避震器
Unique steering shock absorber design

1.5mm丝印PC车壳
1.5mm PC bodyshell

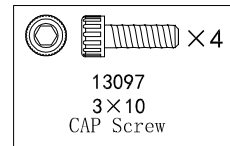
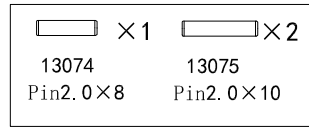
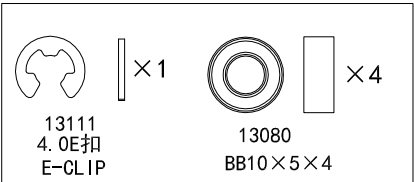
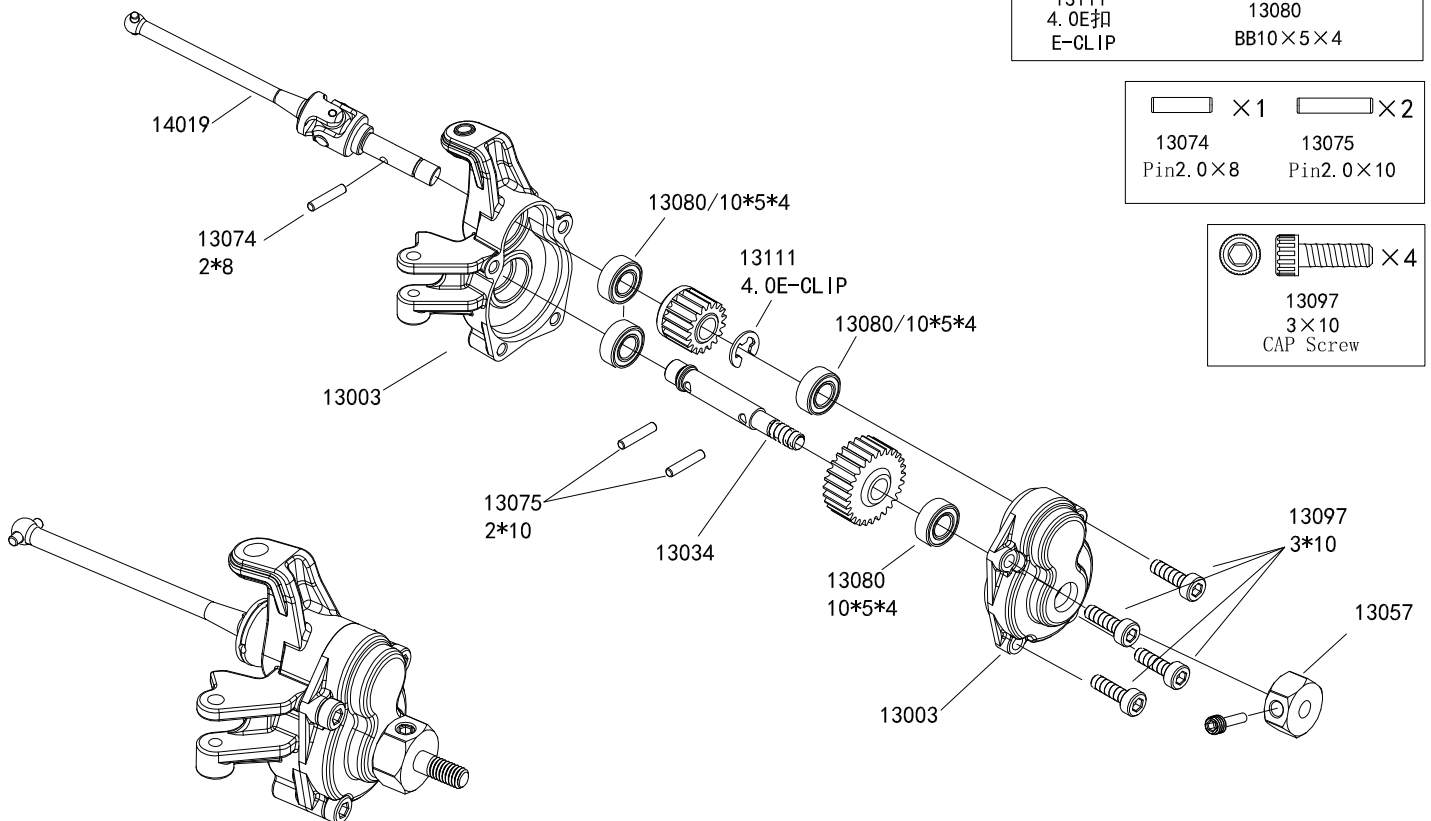
Differential Gear Assembly

差速器组 前/后



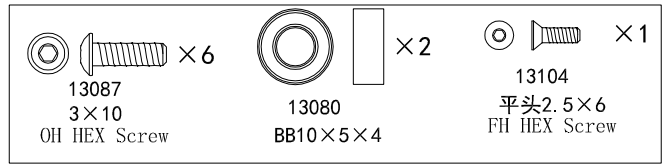
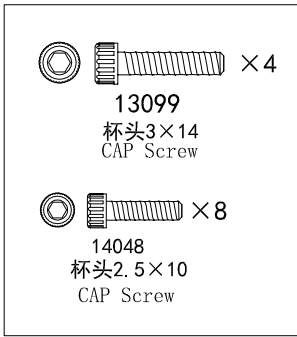
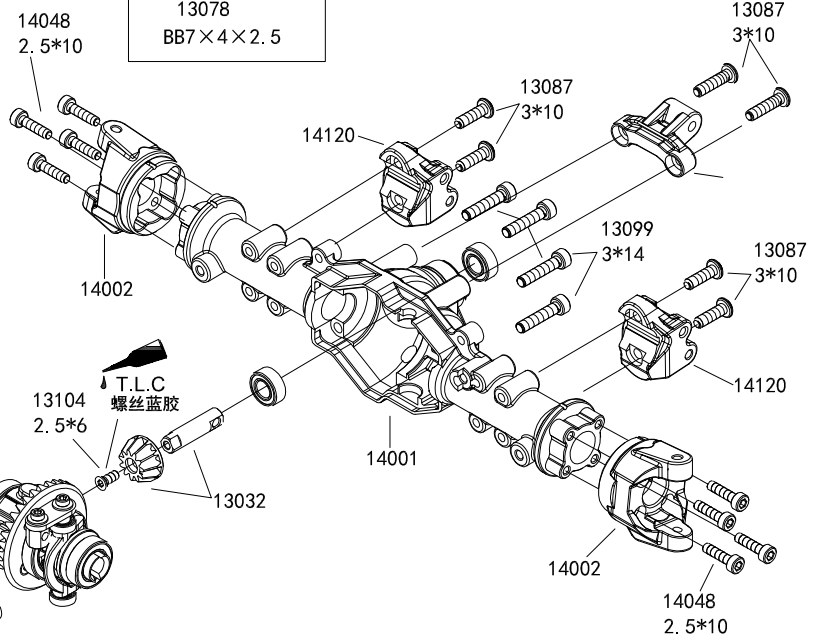
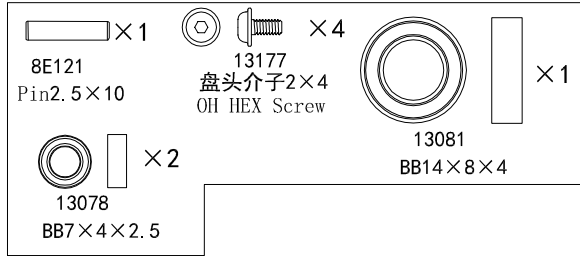
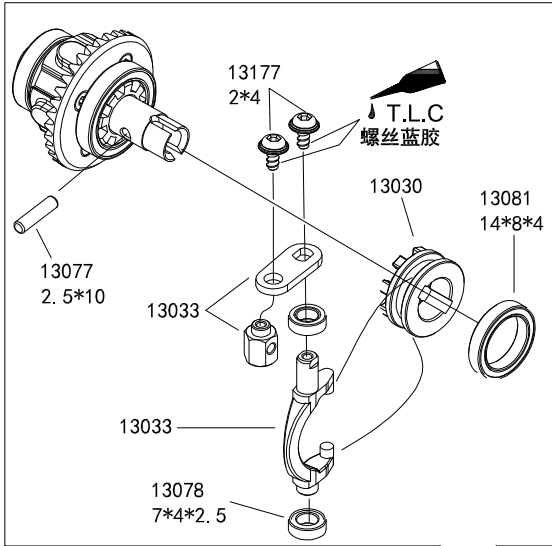
Spindle set

转向臂组 左/右



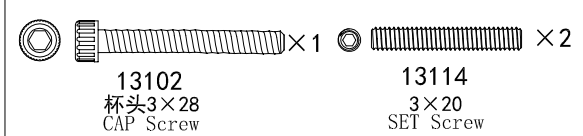
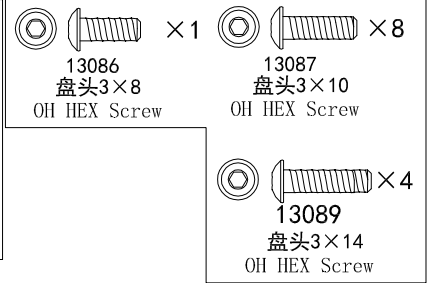
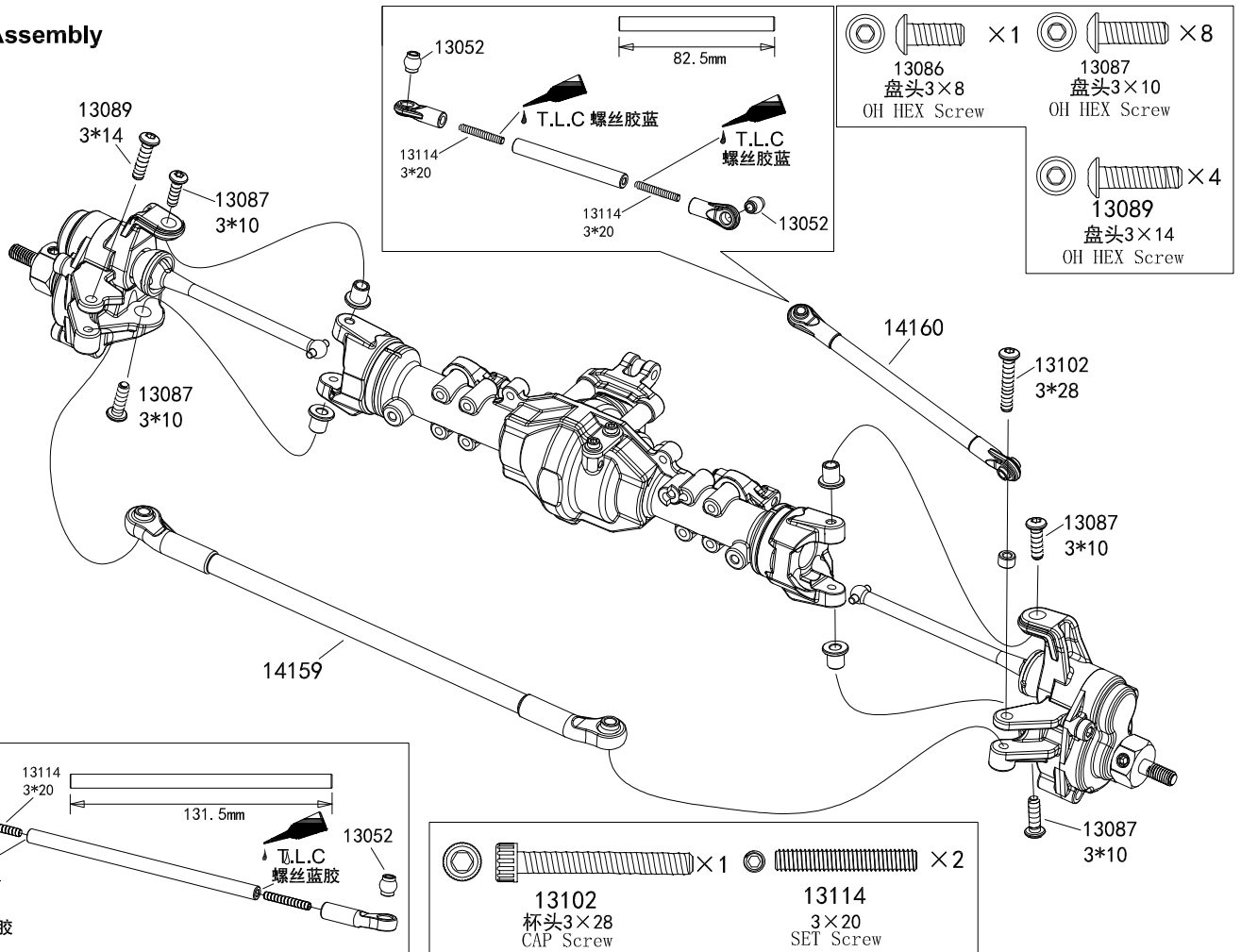
Front Assembly

桥箱组 前



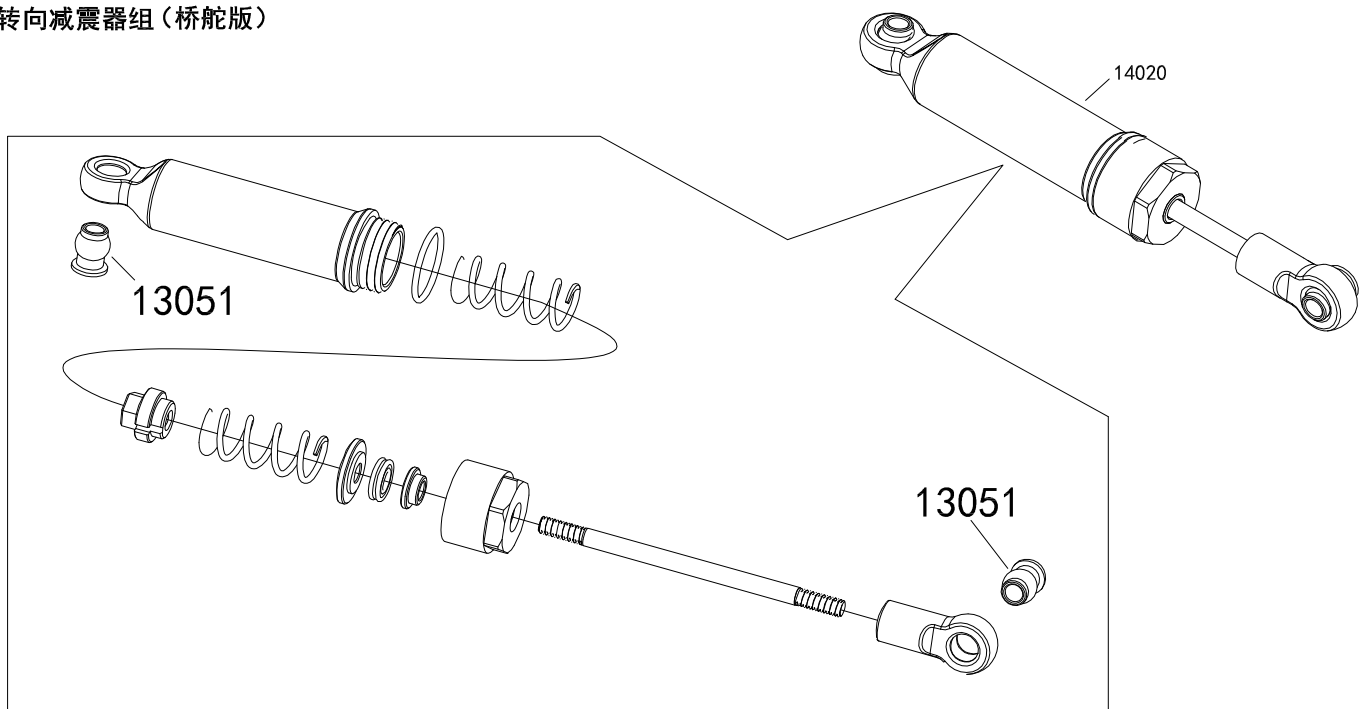
Front Assembly

前桥组



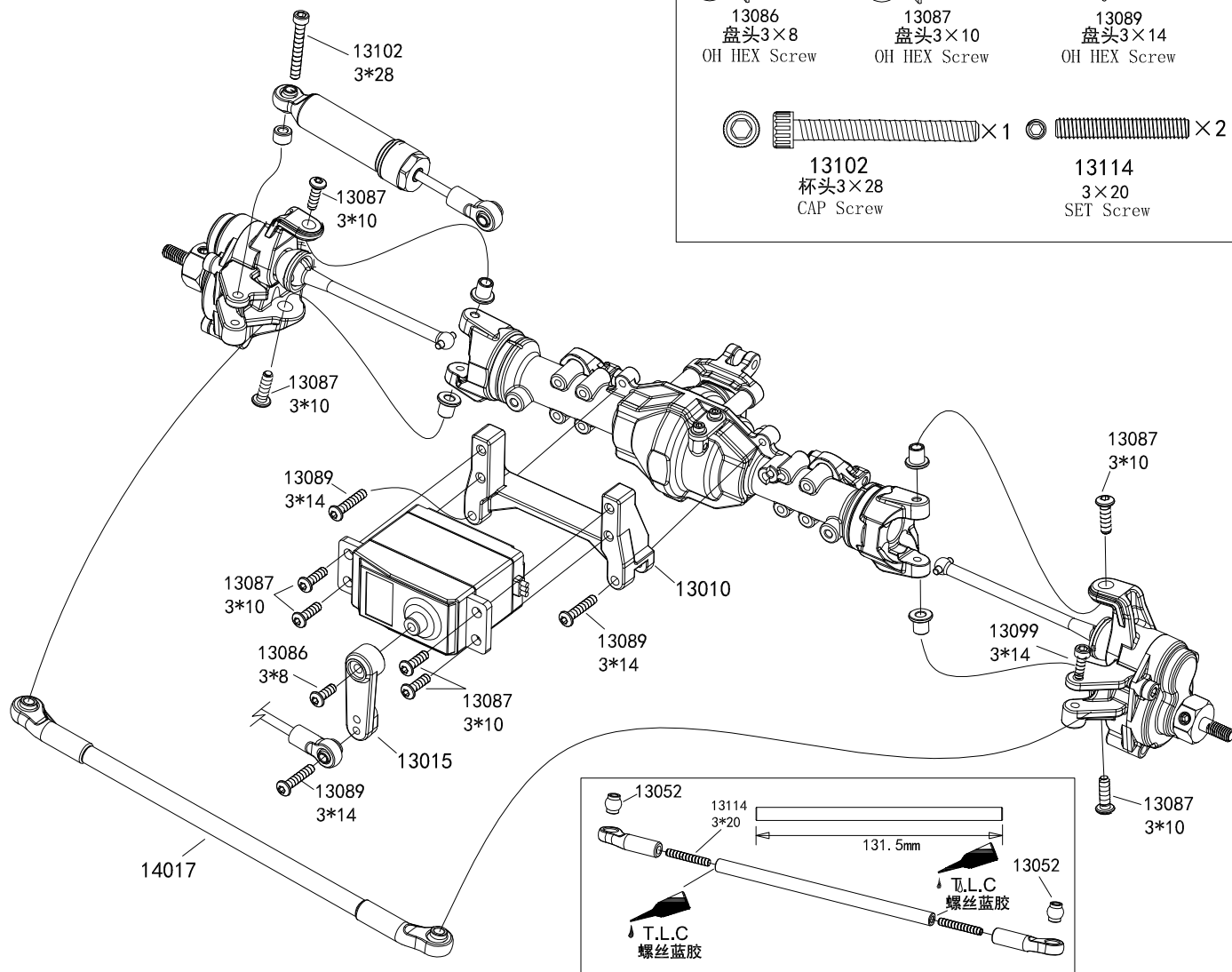
Steering Shock Absorber Assembly (Servo on portal axle version)

转向减震器组 (桥舵版)



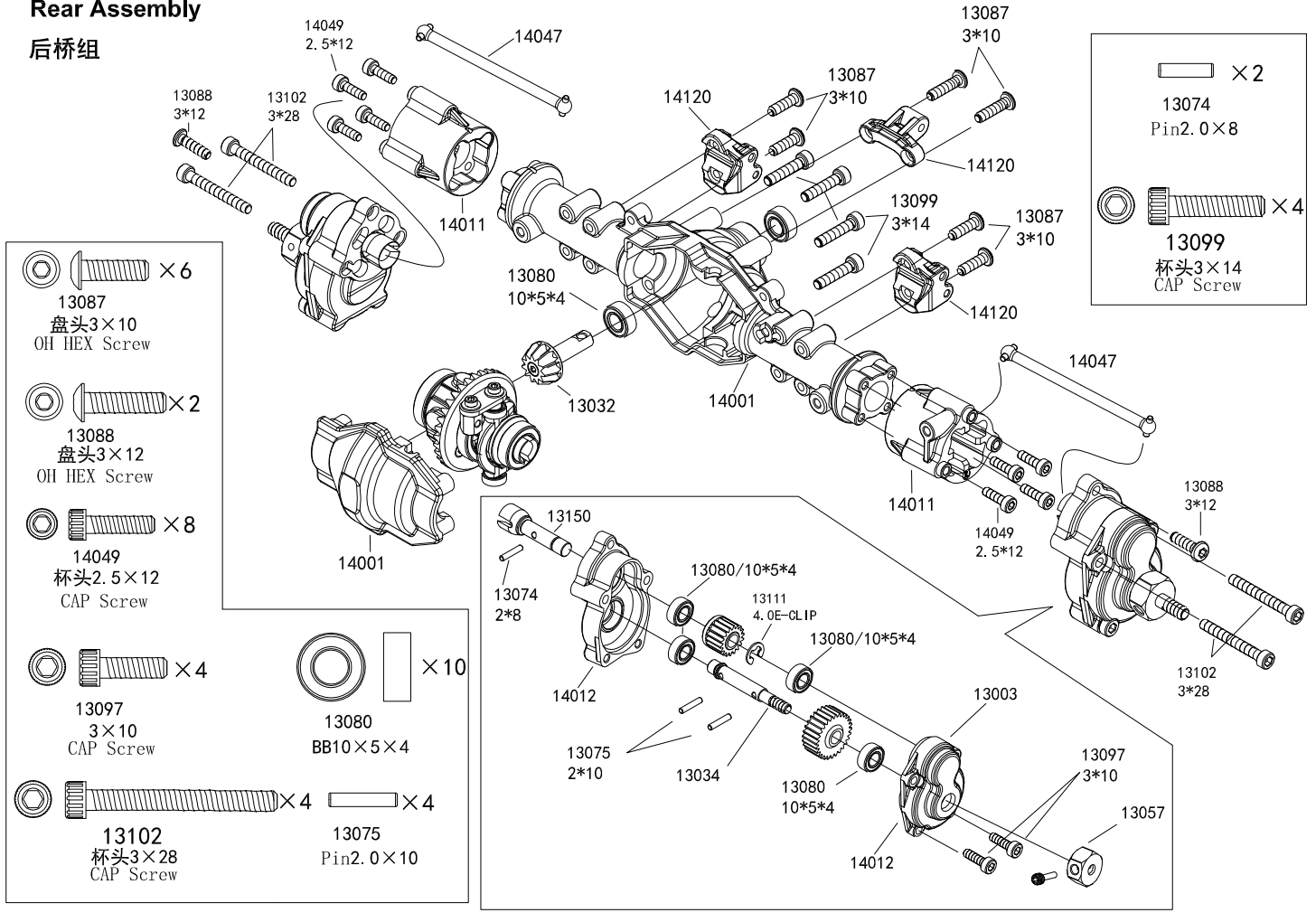
Front Assembly (Servo on portal axle version)

前桥组 (桥舵版)



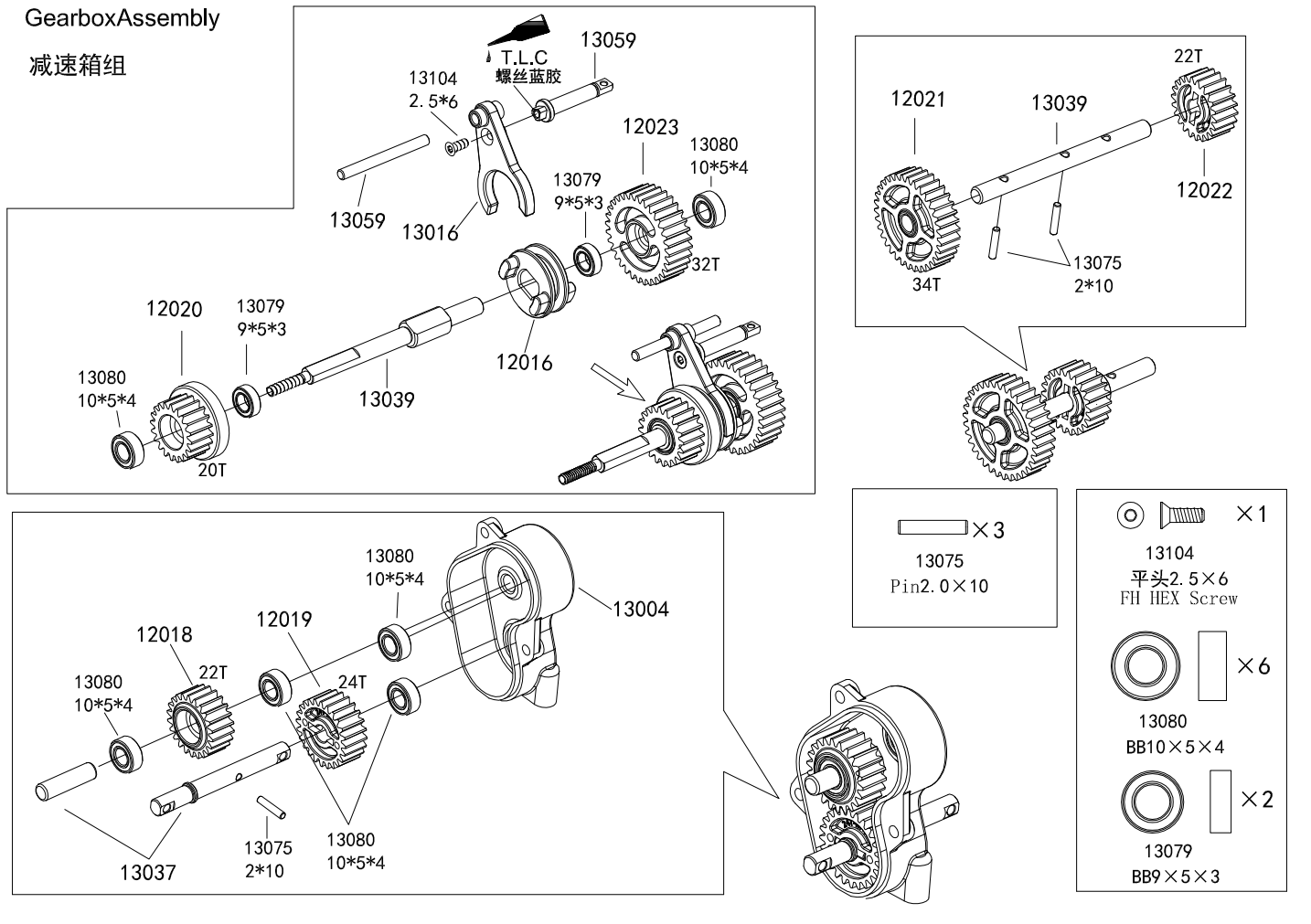
Rear Assembly

后桥组



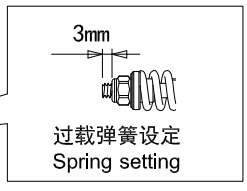
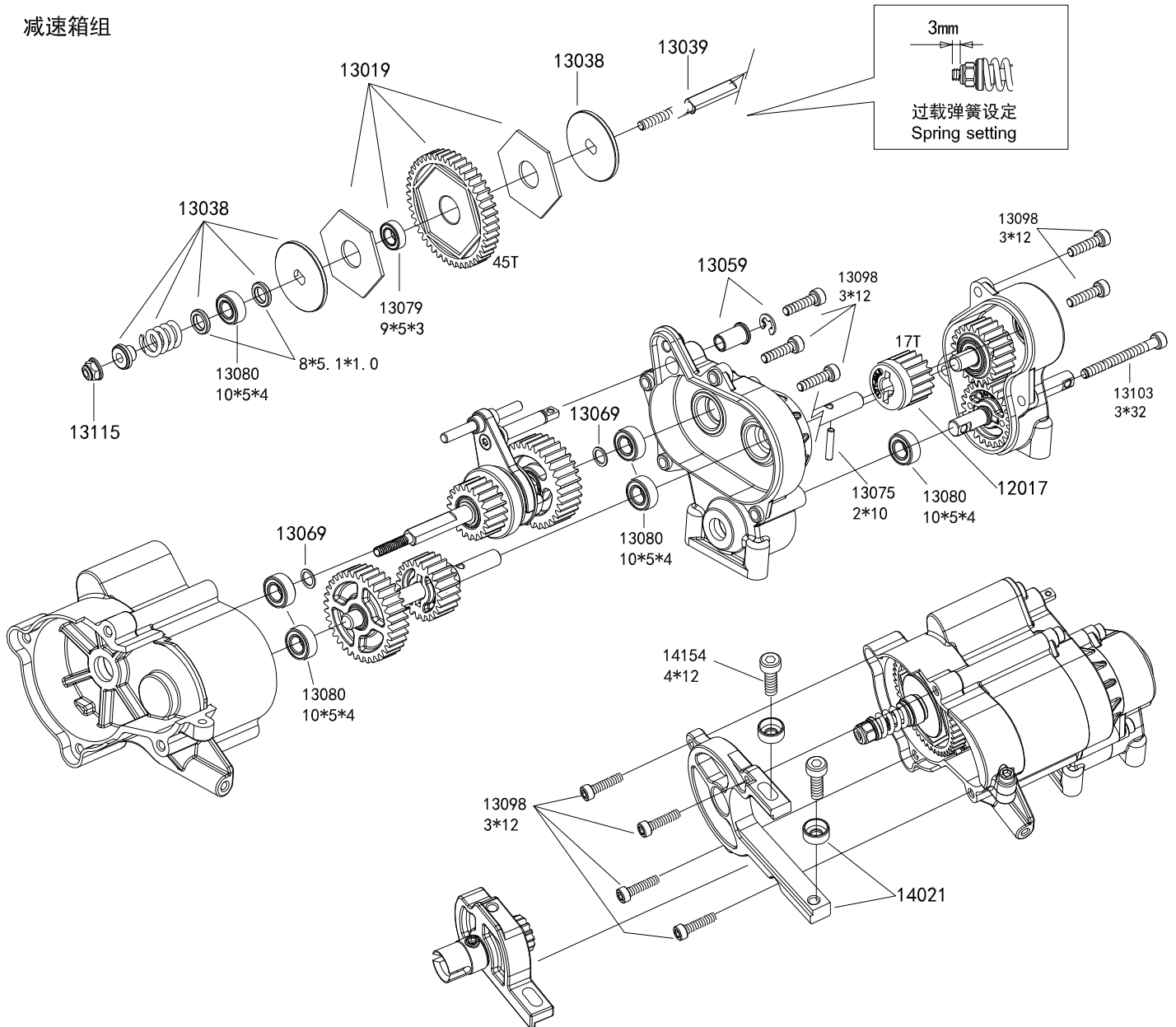
Gearbox Assembly

减速箱组



Gearbox Assembly

减速箱组



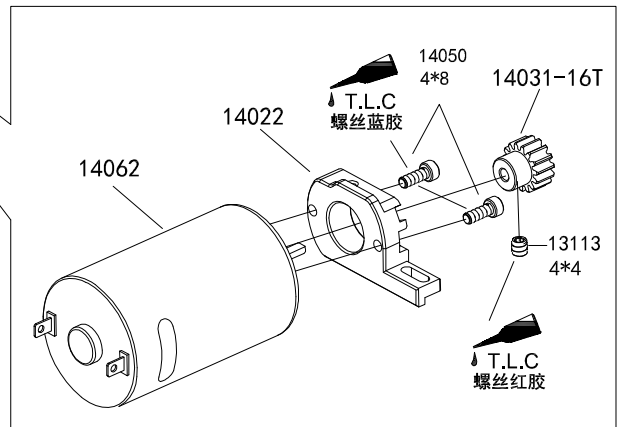
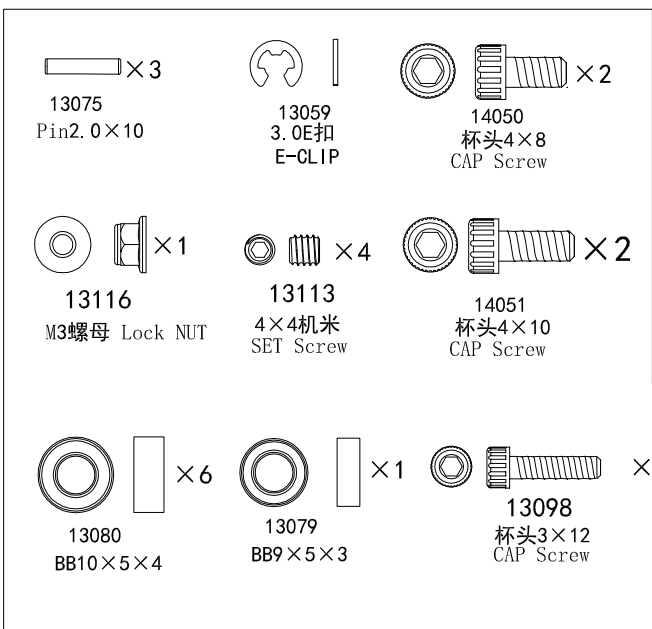
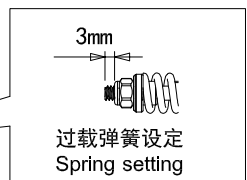
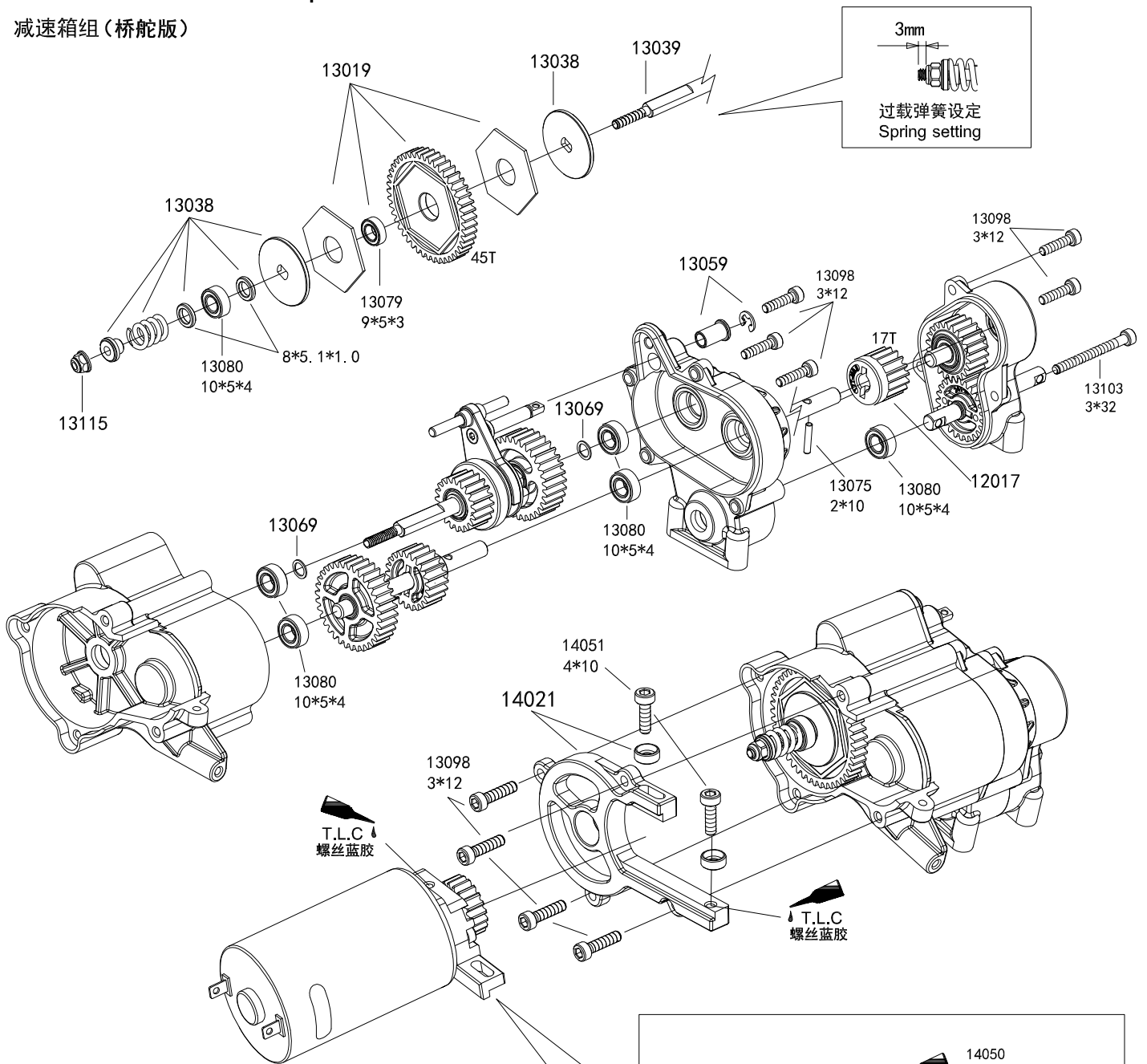
| | | |
|-------------------------------|------------------------------------|--------------------------------------|
| × 3 13075 Pin 2.0×10 | × 1 13059 3.0E扣 E-CLIP | × 2 13069 垫片 7×5.1×0.5 Shim |
| × 1 13116 M3螺母 Lock NUT | × 4 13113 4×4机米 SET Screw | × 1 13097 杯头 3×10 CAP Screw |

| |
|--------------------------|
| × 2 13080 BB10×5×4 |
|--------------------------|

| | | | | |
|--------------------------|-------------------------|--------------------------------------|--------------------------------------|--------------------------------------|
| × 6 13080 BB10×5×4 | × 1 13079 BB9×5×3 | × 9 13098 杯头 3×12 CAP Screw | × 1 13103 杯头 3×32 CAP Screw | × 2 14154 杯头 4×12 CAP Screw |
|--------------------------|-------------------------|--------------------------------------|--------------------------------------|--------------------------------------|

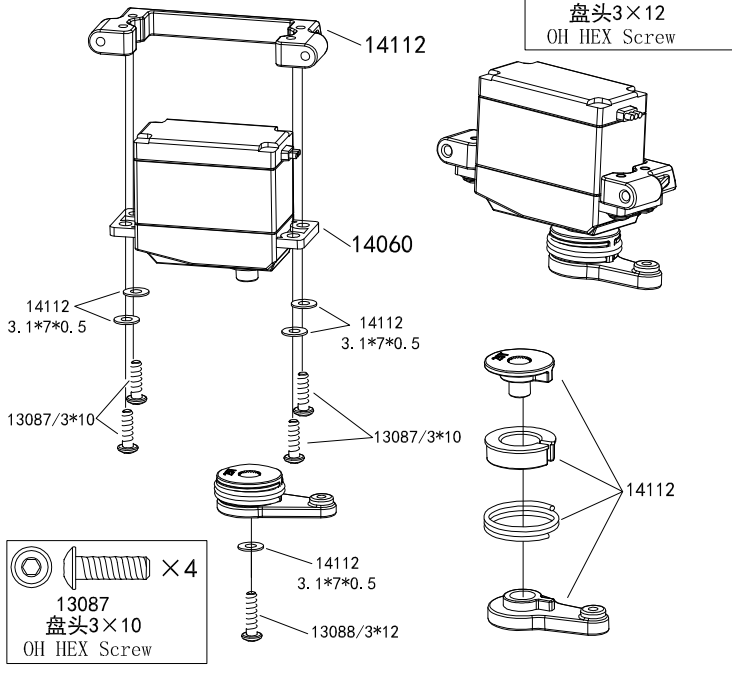
Gearbox Assembly (Servo on portal axle version)

减速箱组(桥舵版)



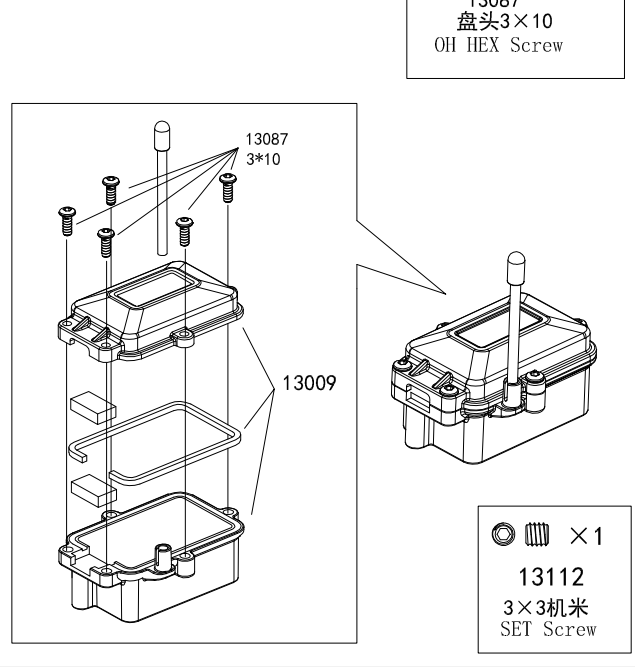
Steering Servo/Bellcrank Set

转向舵机/缓冲组装



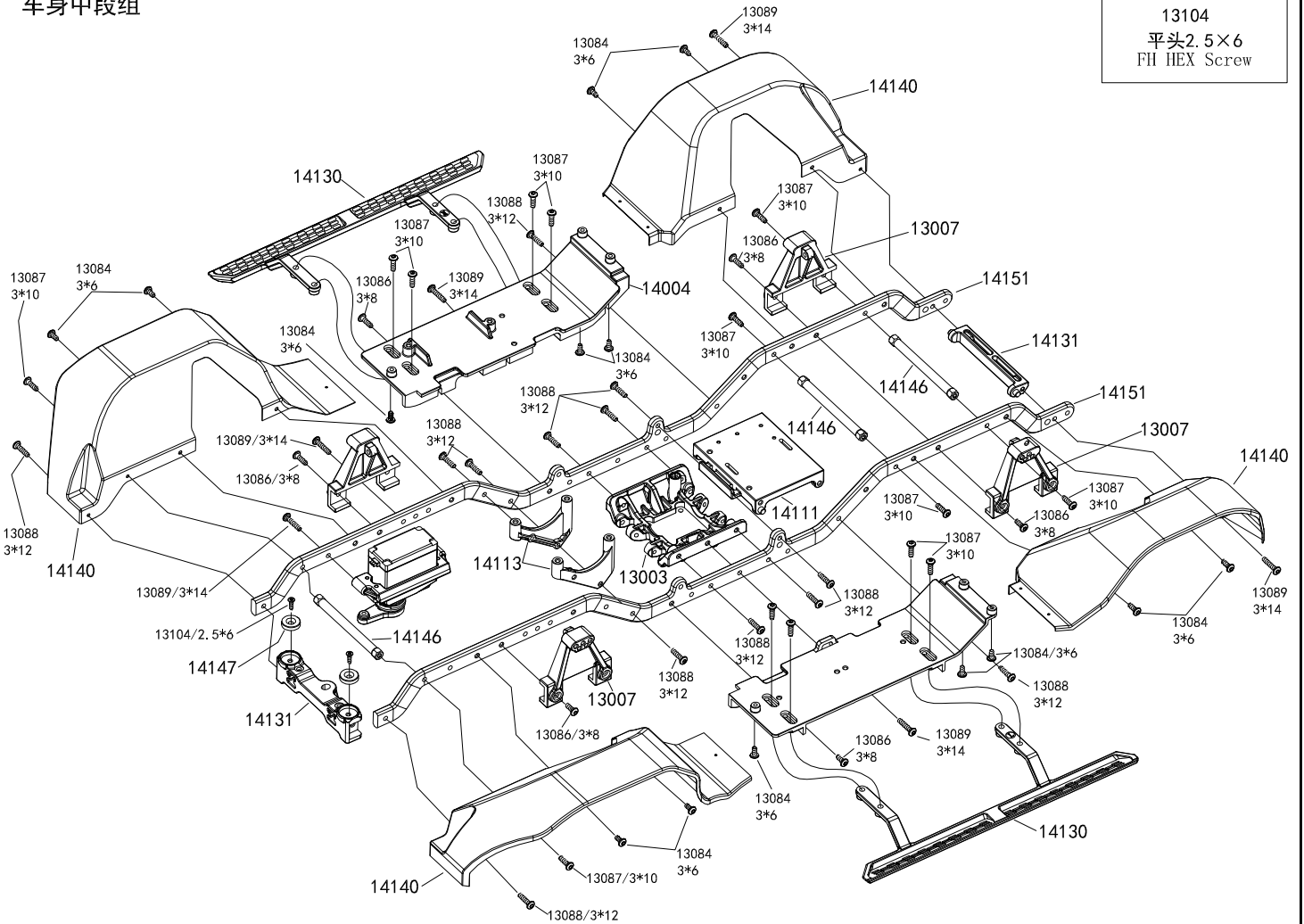
Receiver box Assembly

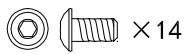
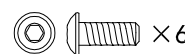



接收机盒组



Chassis Assembly

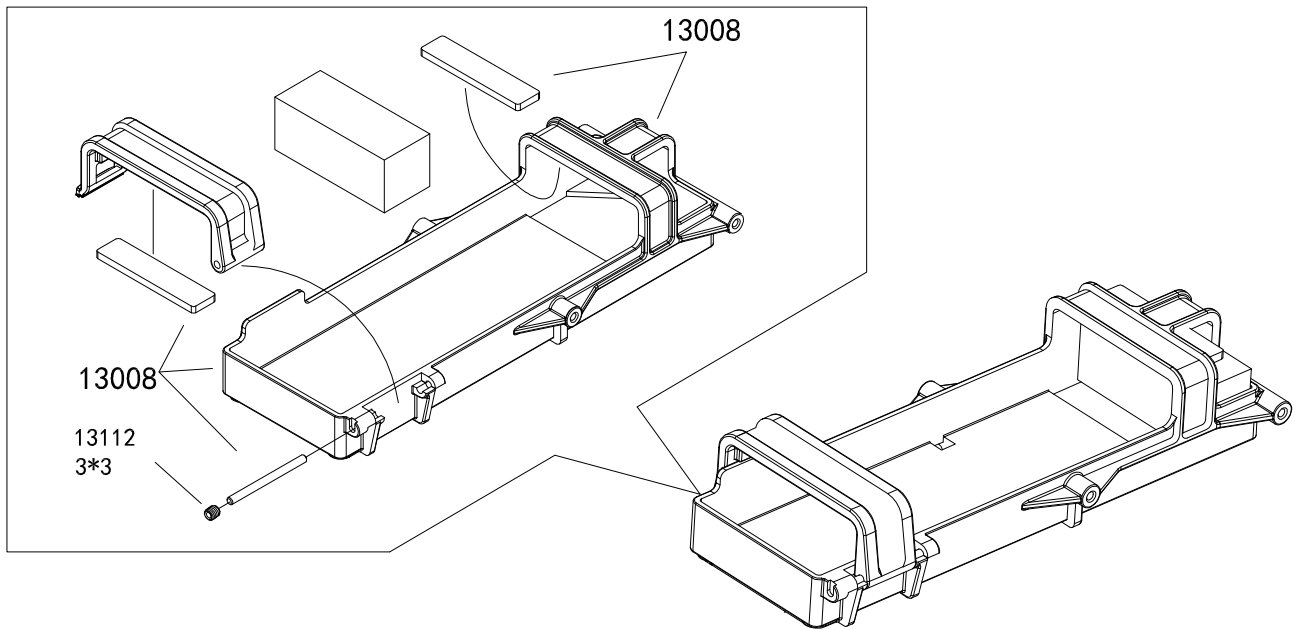
车身中段组



-  × 14
13084
盘头3×6
OH HEX Screw
-  × 6
13086
盘头3×8
OH HEX Screw
-  × 14
13087
盘头3×10
OH HEX Screw
-  × 13
13088
盘头3×12
OH HEX Screw
-  × 5
13089
盘头3×14
OH HEX Screw

Battery box Assembly (Servo on portal axle version)

电池盒组 (桥舵版)

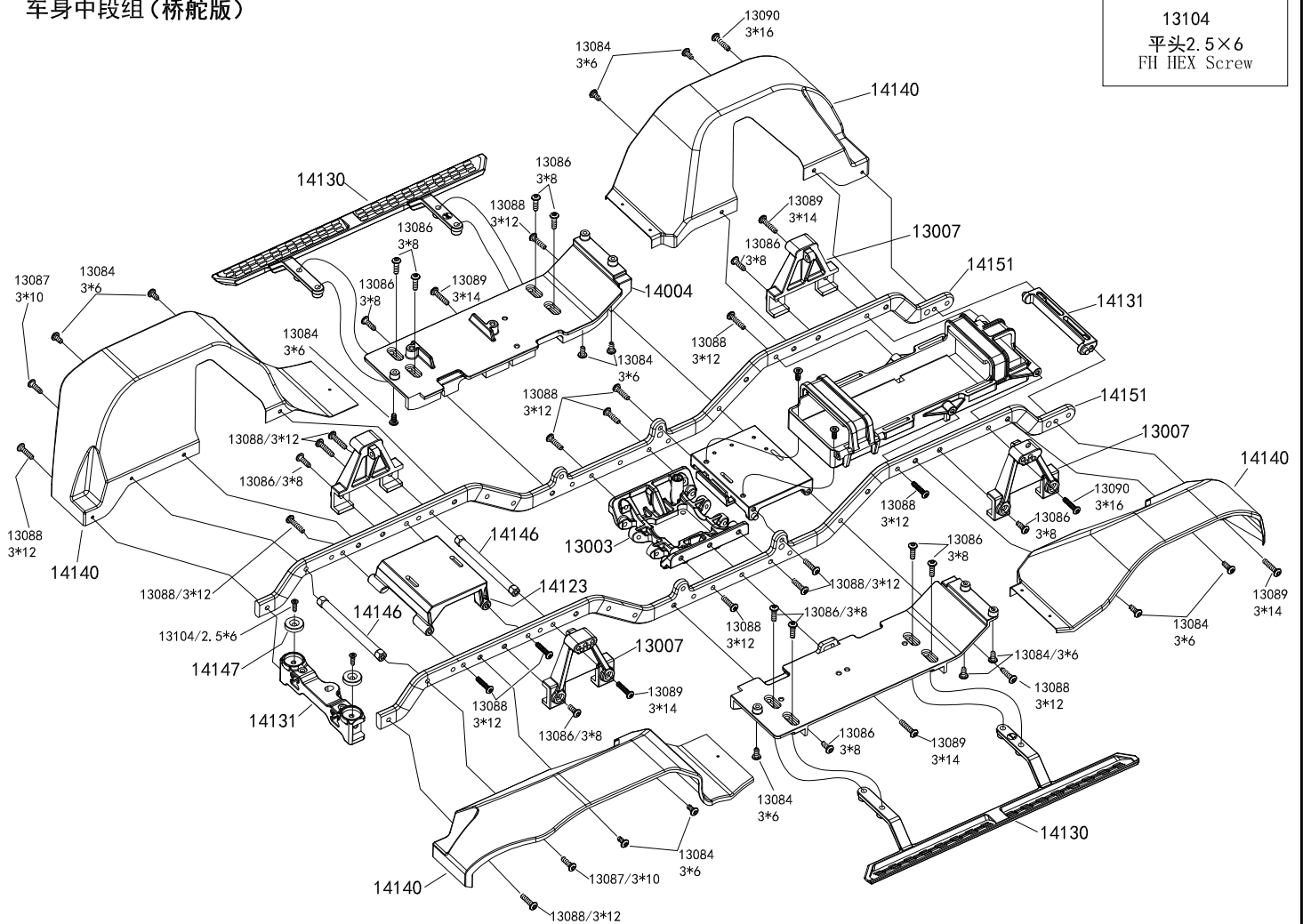












Chassis Assembly (Servo on portal axle version)

车身中段组 (桥舵版)



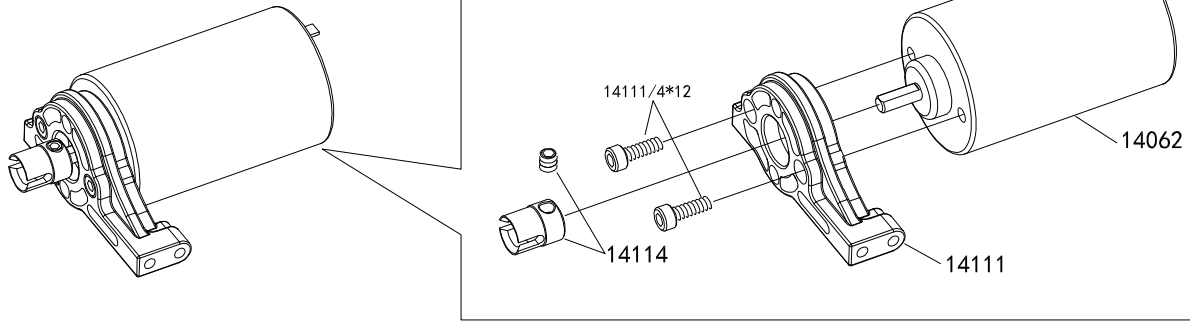
 × 2
 13104
 平头2.5×6
 FH HEX Screw



| | | | | | |
|---------------------------------------------------------------------------------------------------------------------------------------------------------------------------------------------------------------|----------------------------------------------------------------------------------------------------------------------------------------------------------------------------------------------------------------|-----------------------------------------------------------------------------------------------------------------------------------------------------------------------------------------------------------------|-----------------------------------------------------------------------------------------------------------------------------------------------------------------------------------------------------------------|-------------------------------------------------------------------------------------------------------------------------------------------------------------------------------------------------------------------|--------------------------------------------------------------------------------------------------------------------------------------------------------------------------------------------------------------------|
|   × 14 13084 盘头3×6 OH HEX Screw |   × 14 13086 盘头3×8 OH HEX Screw |   × 12 13087 盘头3×10 OH HEX Screw |   × 16 13088 盘头3×12 OH HEX Screw |   × 9 13089 盘头3×14 OH HEX Screw |   × 2 13090 盘头3×16 OH HEX Screw |
|---------------------------------------------------------------------------------------------------------------------------------------------------------------------------------------------------------------|----------------------------------------------------------------------------------------------------------------------------------------------------------------------------------------------------------------|-----------------------------------------------------------------------------------------------------------------------------------------------------------------------------------------------------------------|-----------------------------------------------------------------------------------------------------------------------------------------------------------------------------------------------------------------|-------------------------------------------------------------------------------------------------------------------------------------------------------------------------------------------------------------------|--------------------------------------------------------------------------------------------------------------------------------------------------------------------------------------------------------------------|

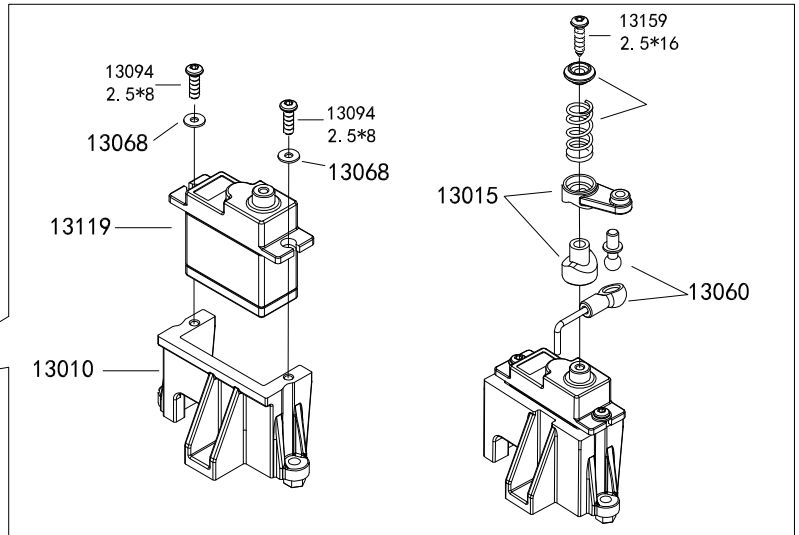
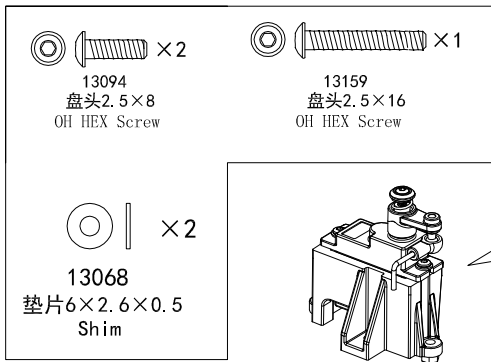
Motor Mounting Assemble

马达固定座组装



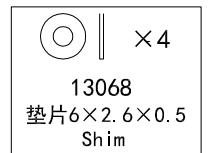
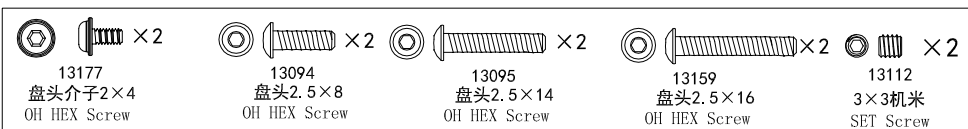
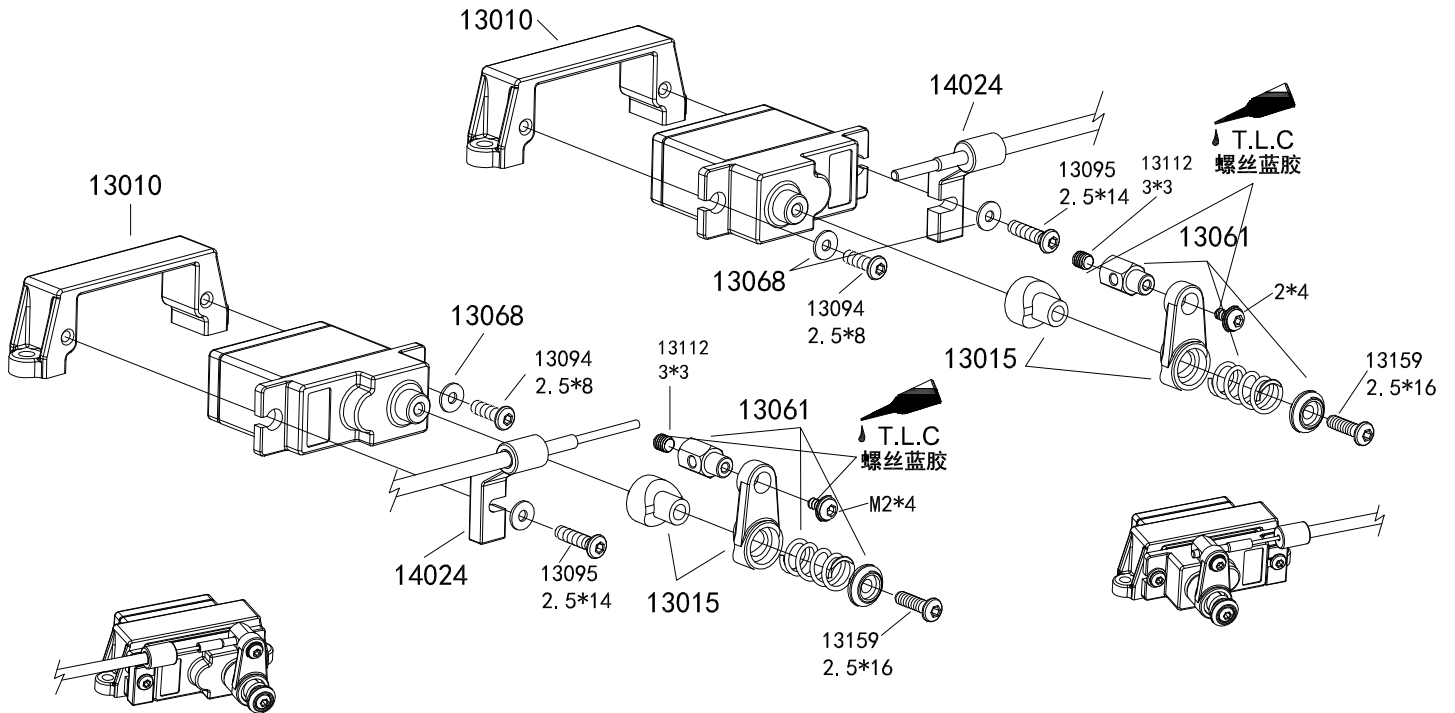
Hi/Low speeds servo assembly

高低速舵机组



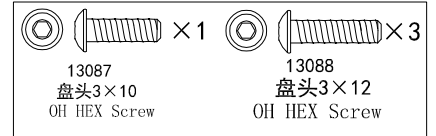
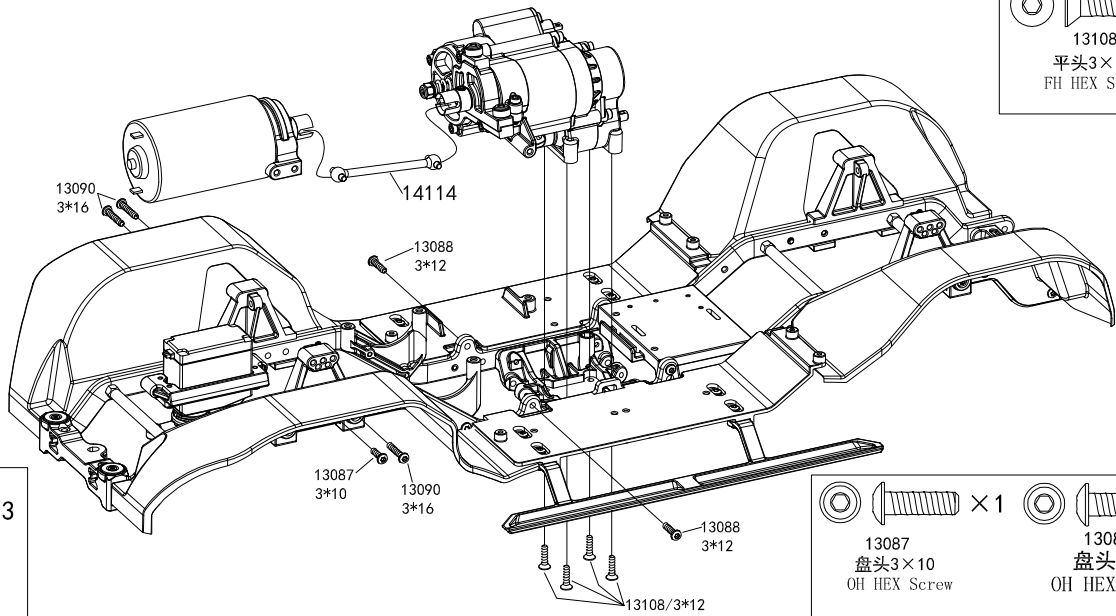
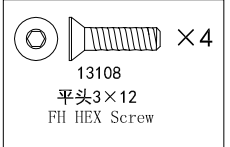
Differential lock servo assembly

差速锁舵机组



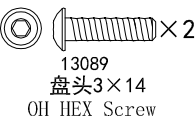
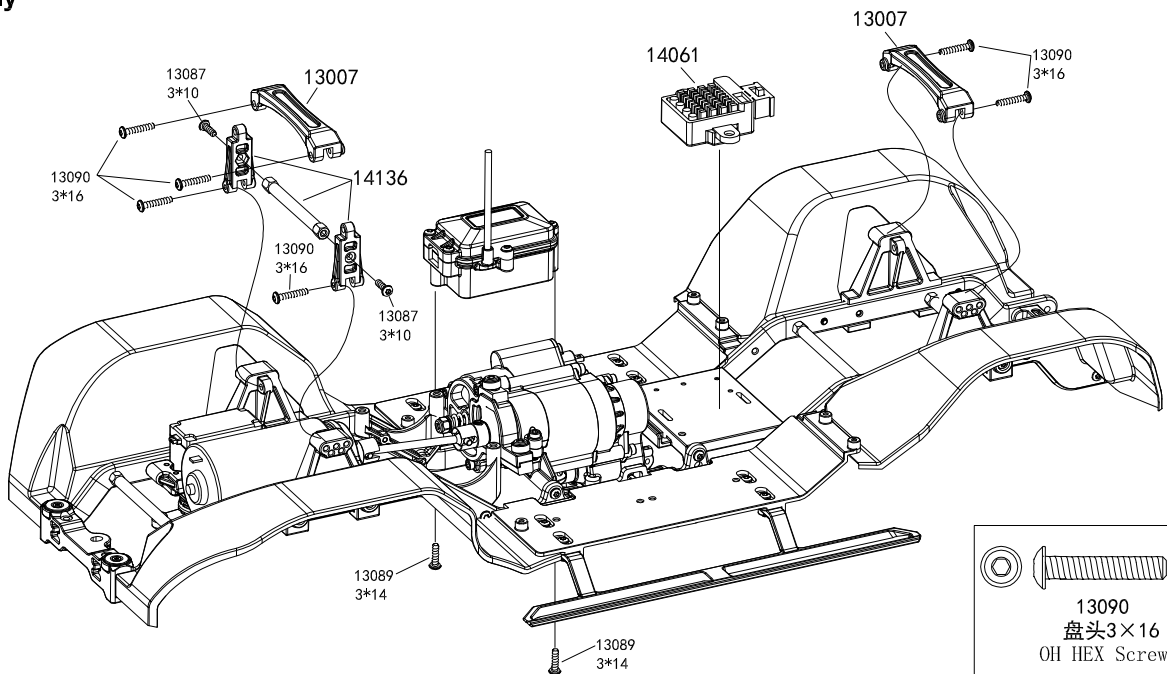
Chassis Assembly

车身中段组装



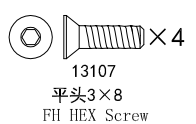
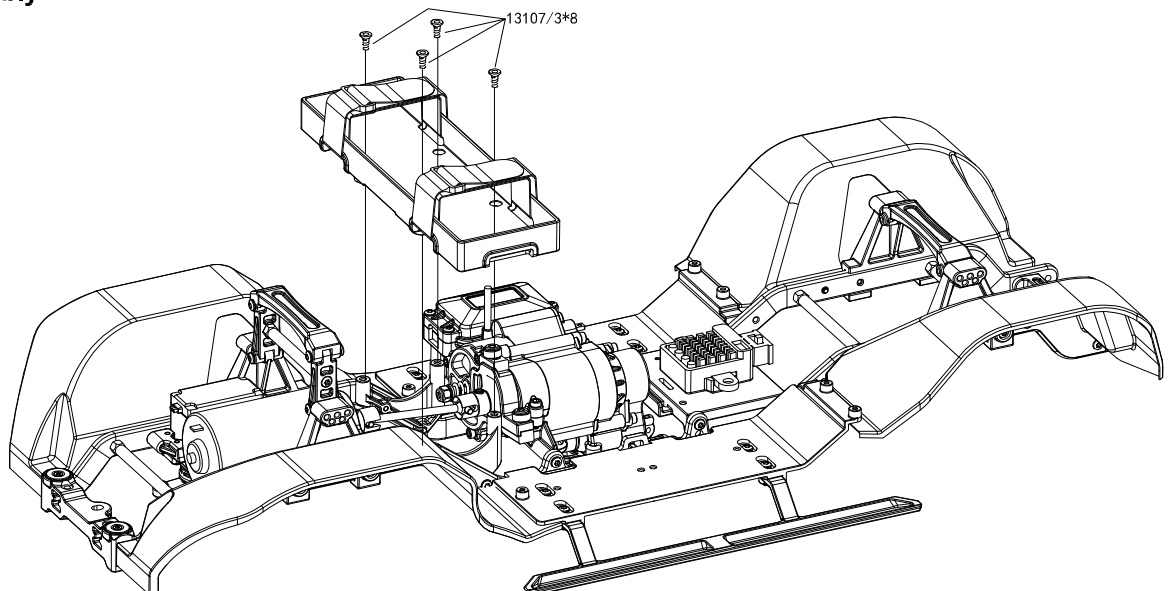
Chassis Assembly

车架中支撑组装



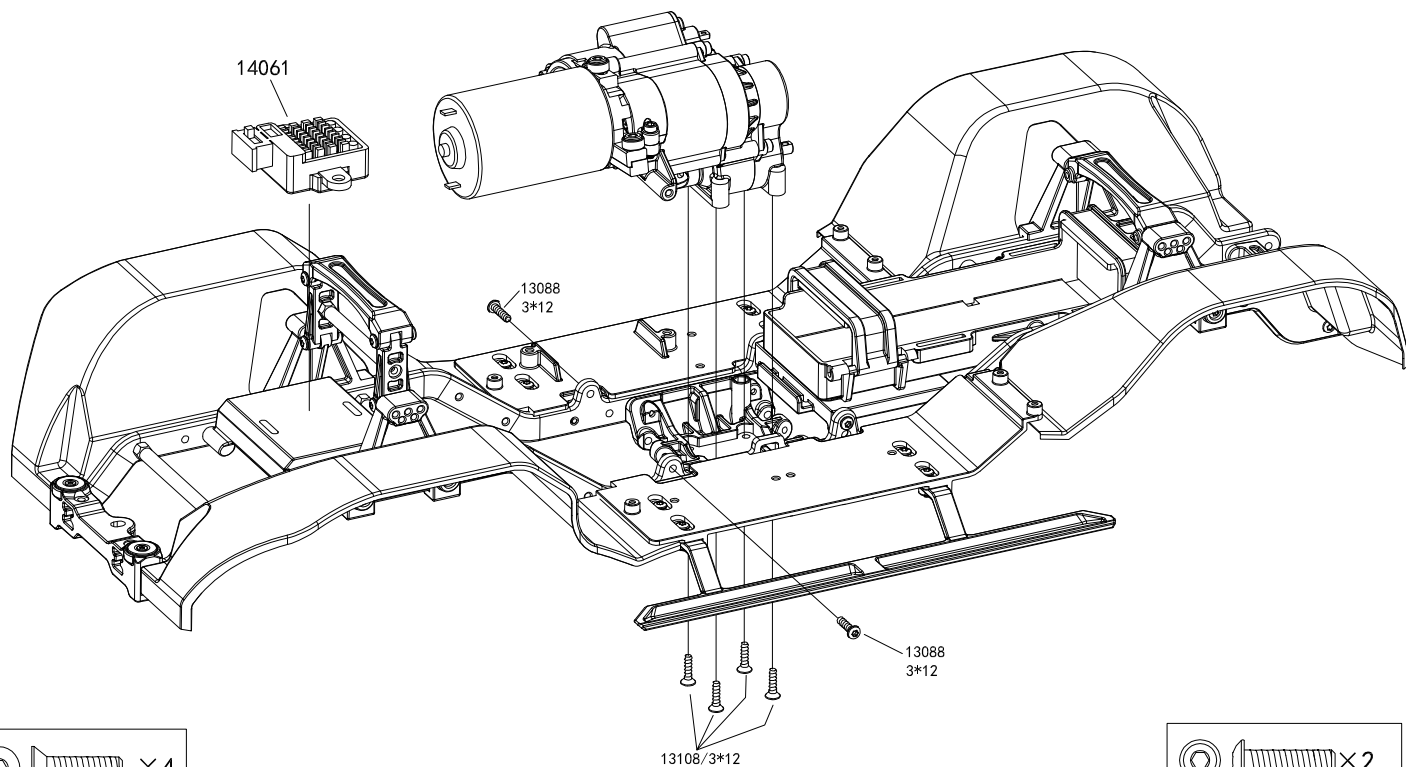
Battery Box Assembly

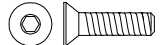
电池盒组装




Chassis Assembly (Servo on portal axle version)

车身中段组装 (桥舵版)

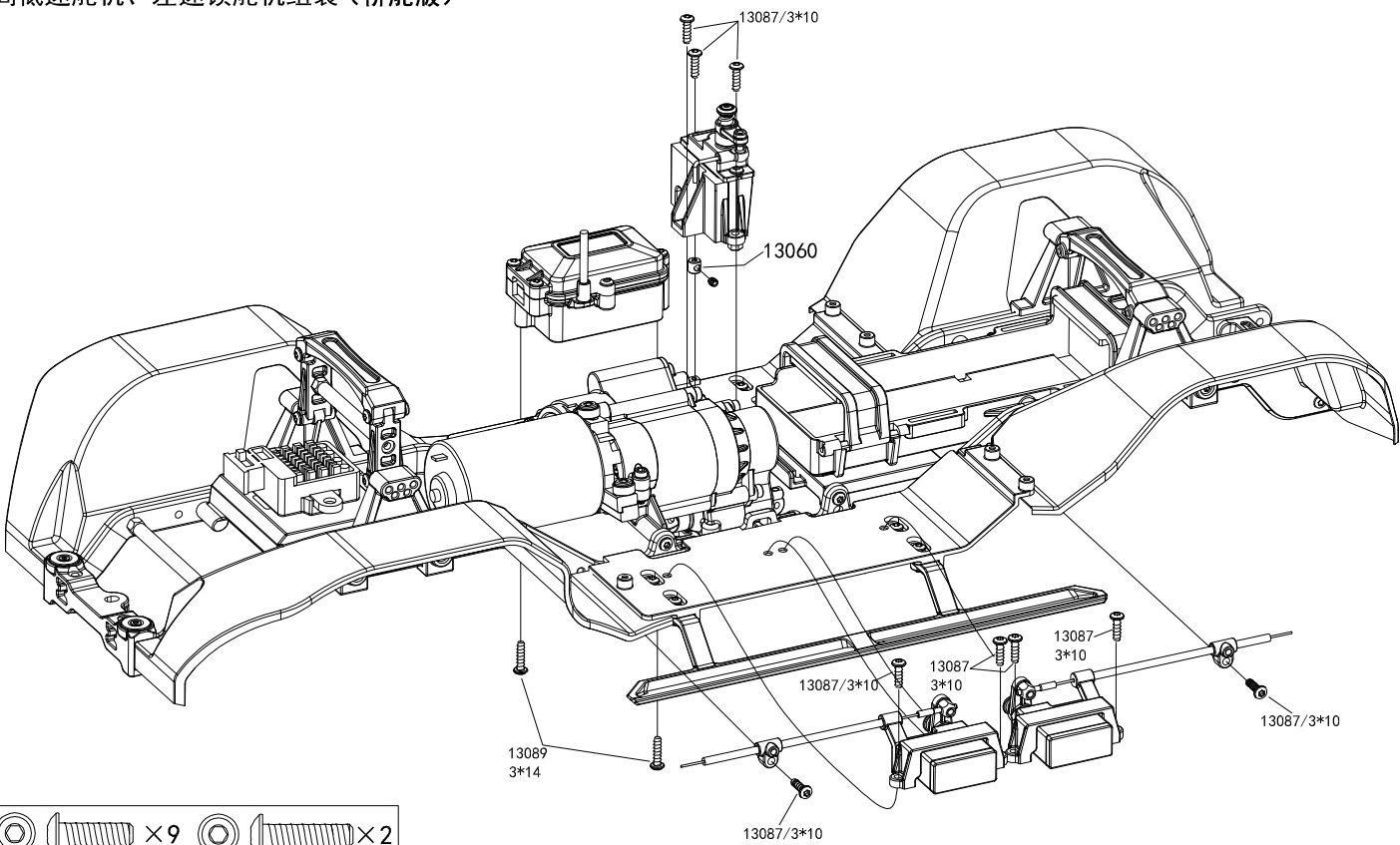


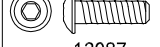

 × 4
 13108
 平头3×12
 FH HEX Screw

 × 2
 13088
 盘头3×12
 OH HEX Screw

Hi/Low speeds servo,differential lock servo assembly (Servo on portal axle version)

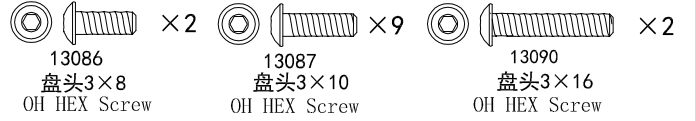
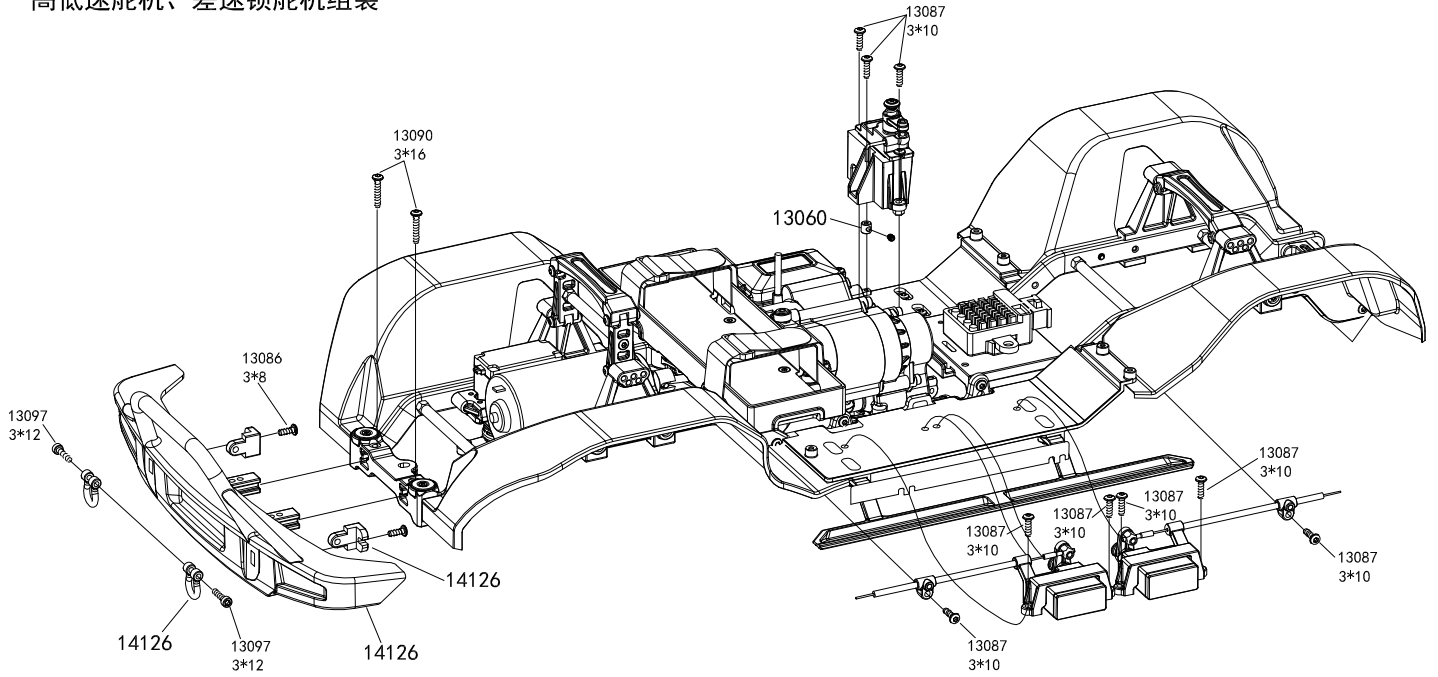
高低速舵机、差速锁舵机组装 (桥舵版)



 × 9  × 2
 13087 13089
 盘头3×10 盘头3×14
 OH HEX Screw OH HEX Screw

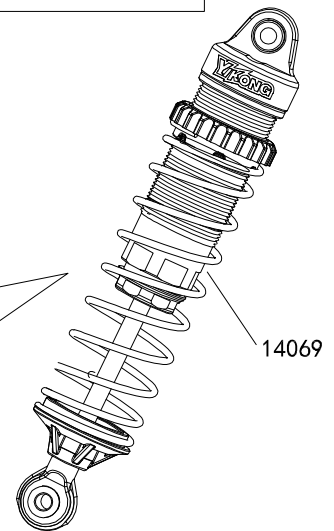
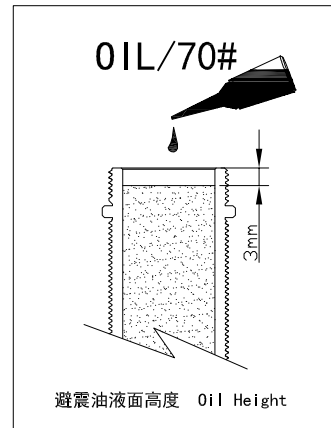
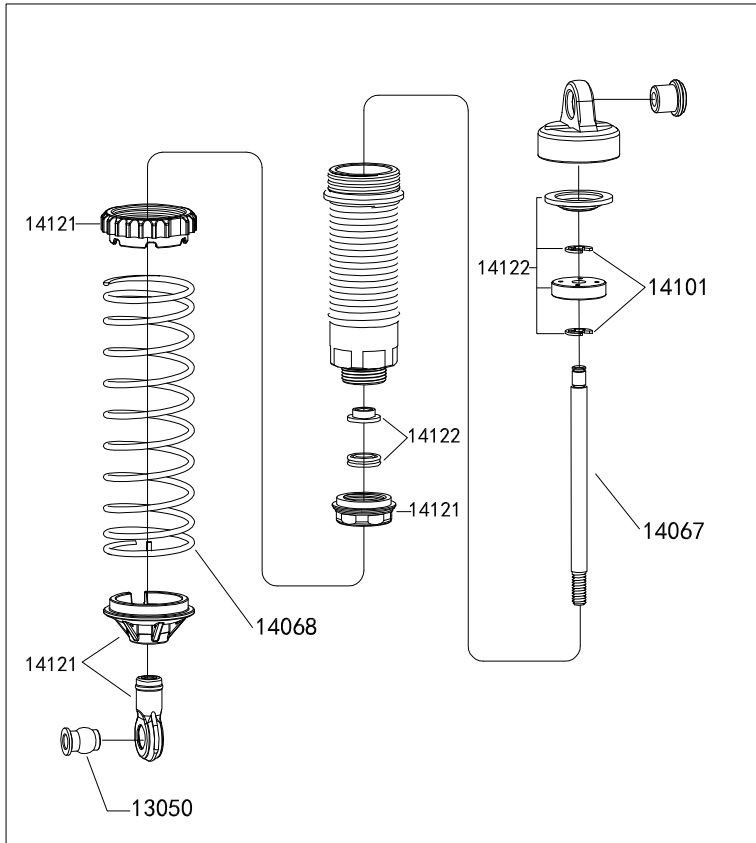
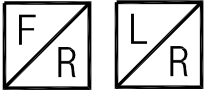
Hi/Low speeds servo,differential lock servo assembly

高低速舵机、差速锁舵机组装



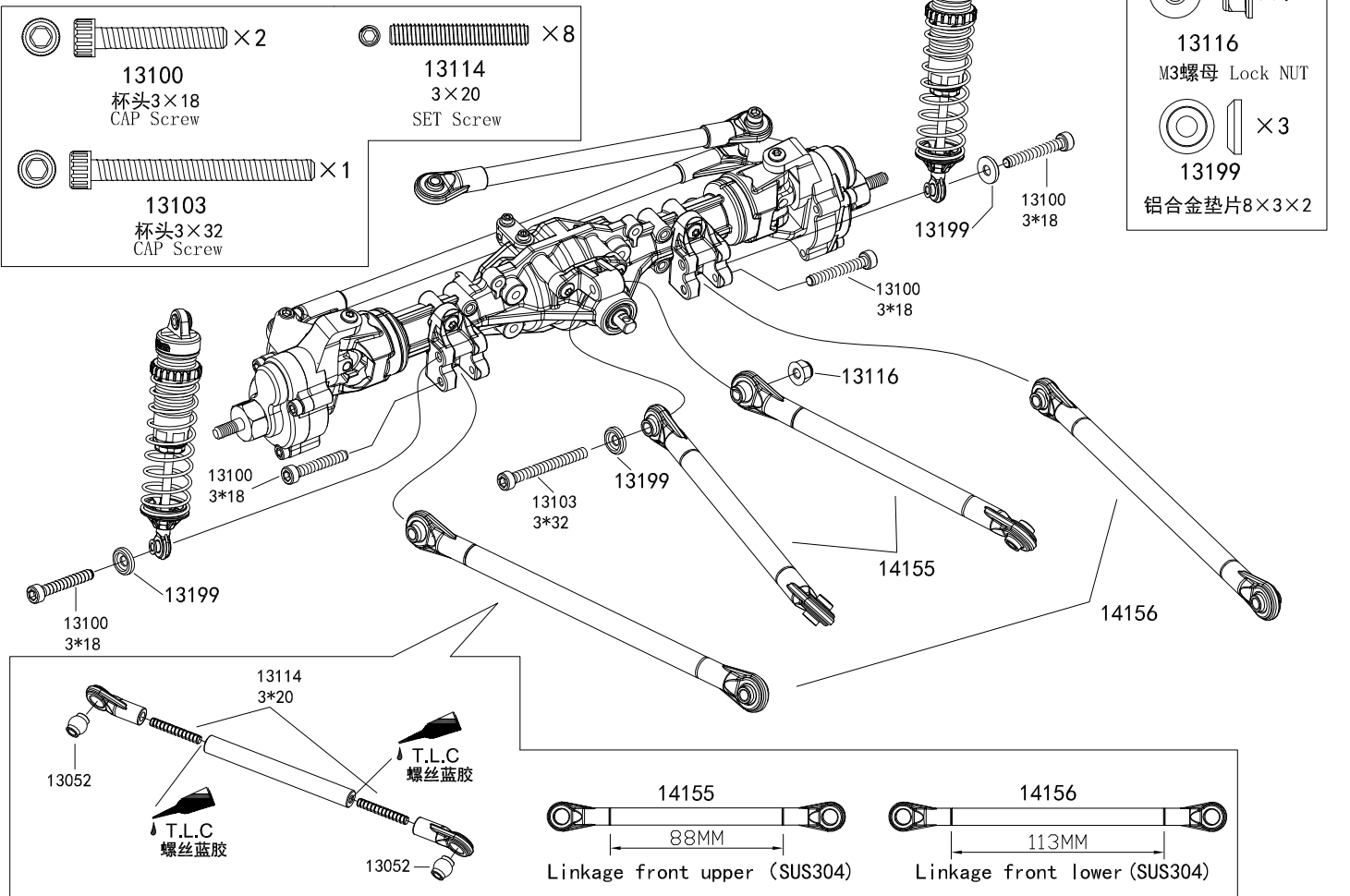
Shock Assembly

避震器 前/后/左/右



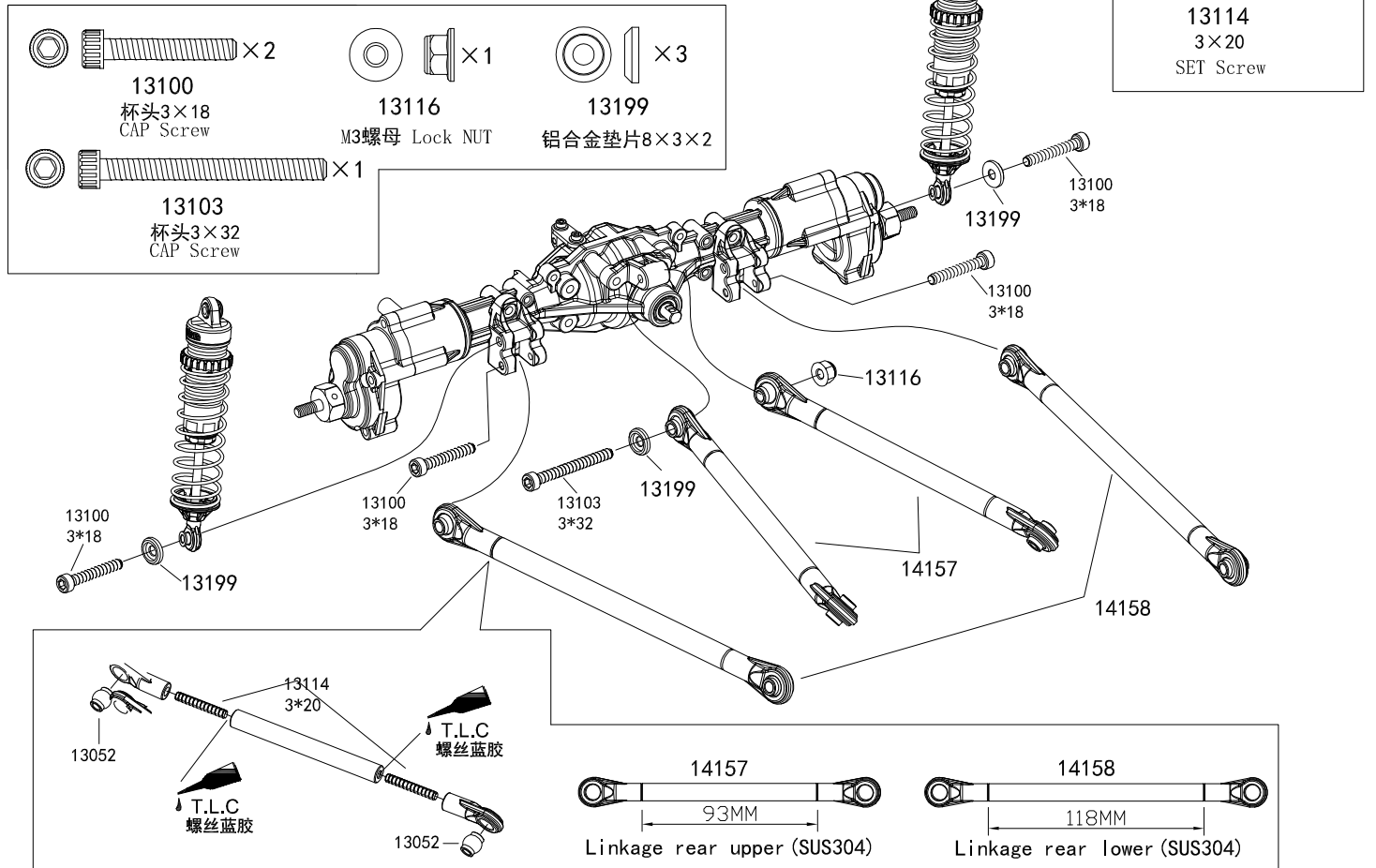
Front portal assembly linkage shock installation

前桥组拉杆, 避震器安装



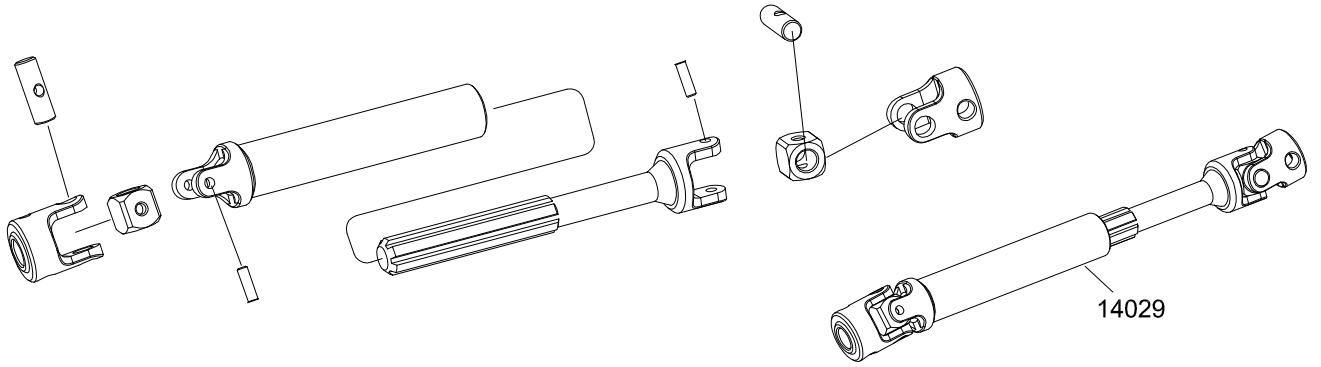
Rear portal assembly linkage shock installation

后桥组拉杆, 避震器安装



Vertical universal shaft assembly

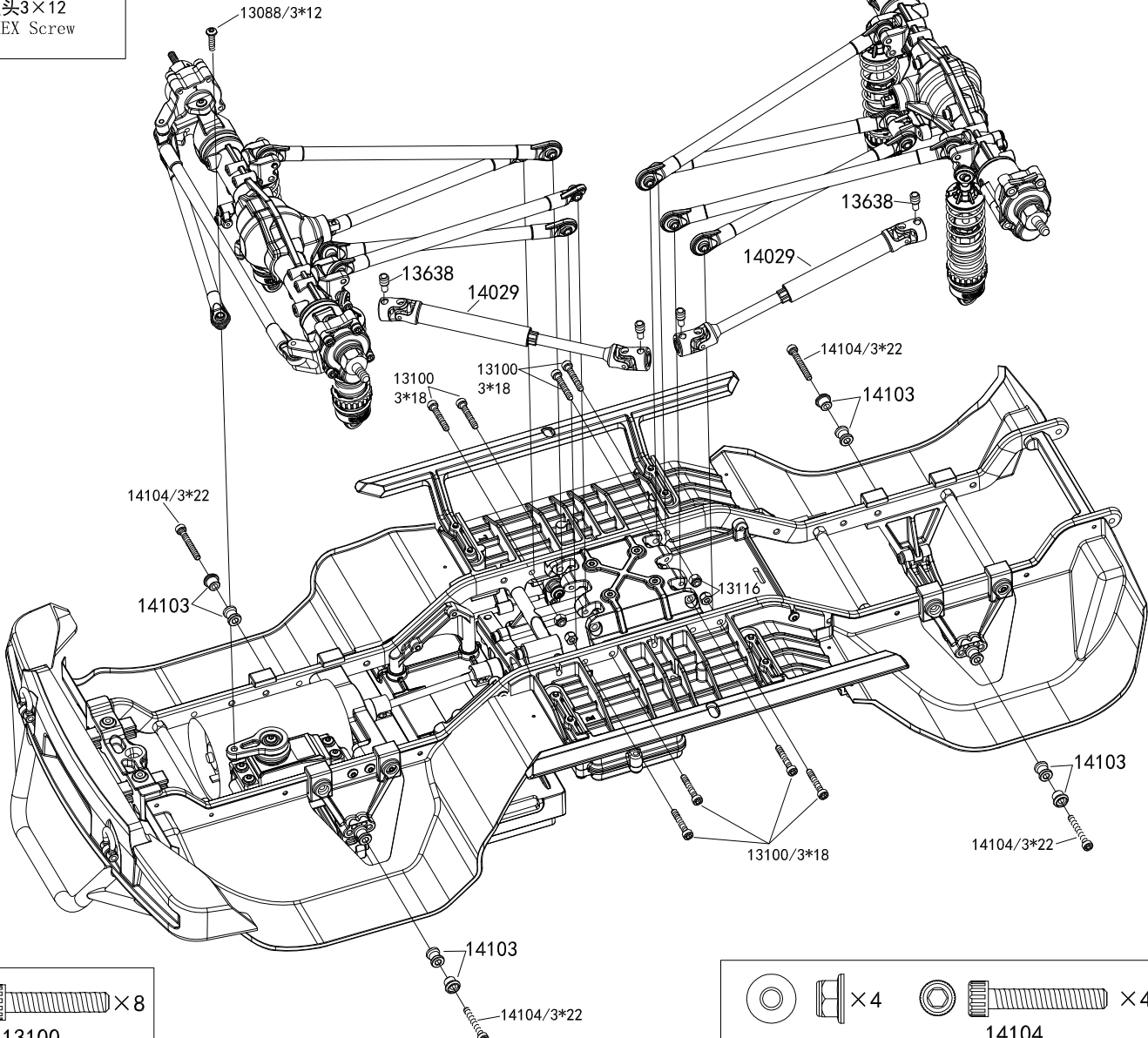
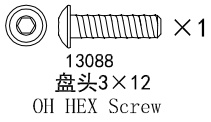
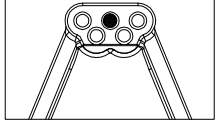
纵万向轴 前/后



Modular Assembly




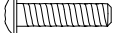
前后桥总组装

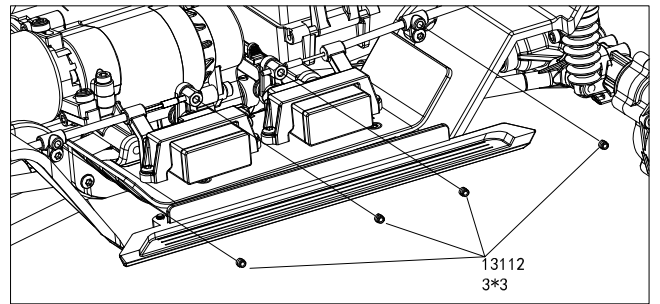
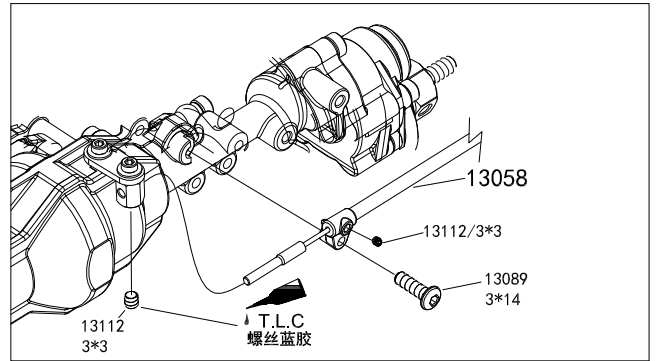
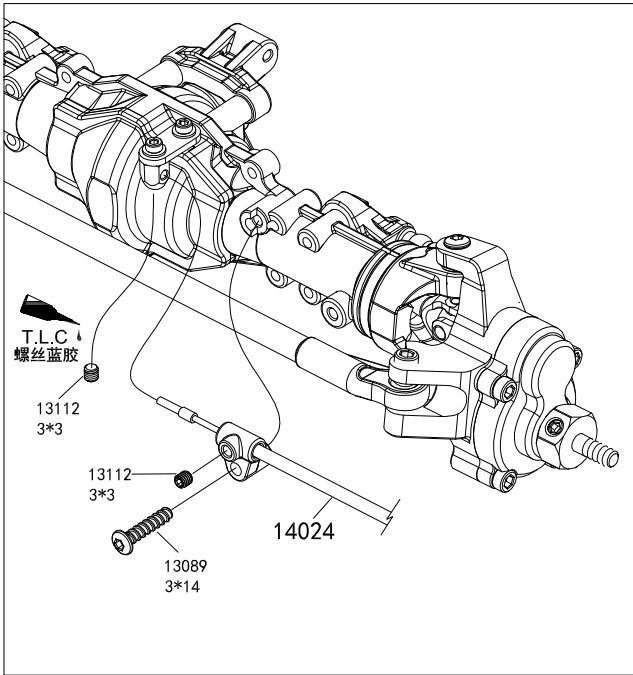
避震器安装孔位



Differential lock wires fixture

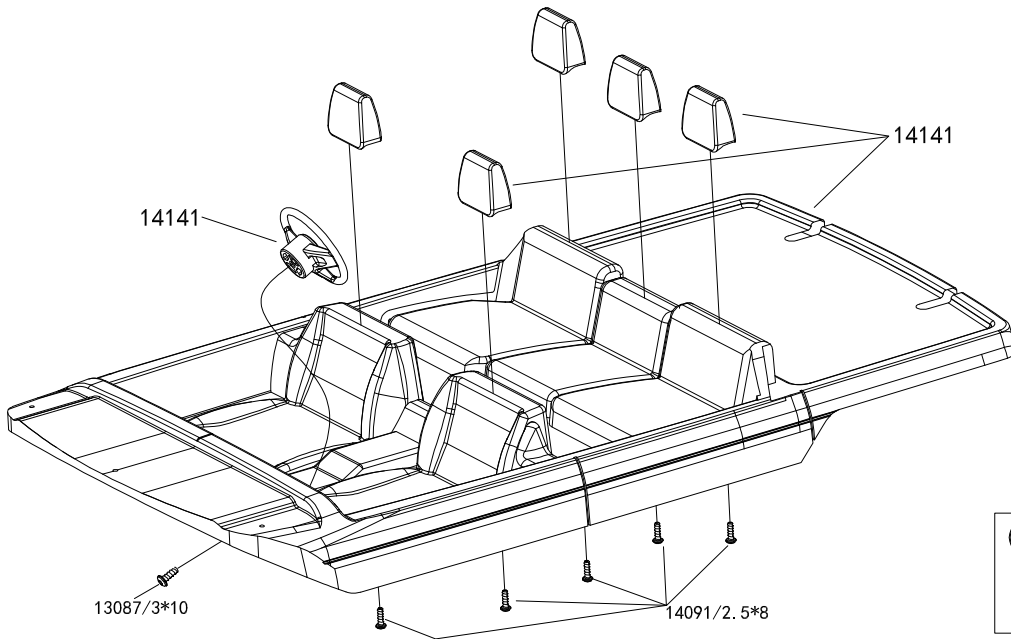
差速锁拉绳安装

| | |
|-----------------------------------------------------------------------------------------------------------------------------------------------------------------------------|-----------------------------------------------------------------------------------------------------------------------------------------------------------------------------|
|   × 8 |   × 2 |
| 13112 机米3×3 SET Screw | 13089 盘头3×14 OH HEX Screw |


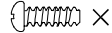


Cockpit set assemble

驾驶舱组装

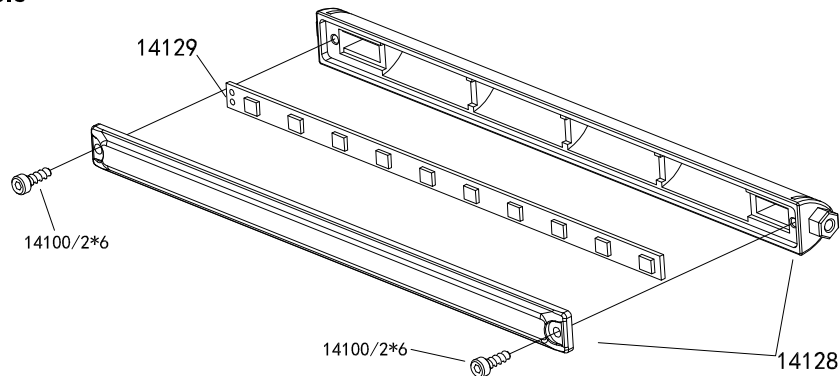


| |
|----------------------------------------------------------------------------------------------------------------------------------------------------------------------------|
|   × 1 |
| 13087 盘头3×10 OH HEX Screw |

| |
|---------------------------------------------------------------------------------------------------------------------------------------------------------------------------------|
|   × 5 |
| 14091 盘头十字2.5×8 Button head Screw |

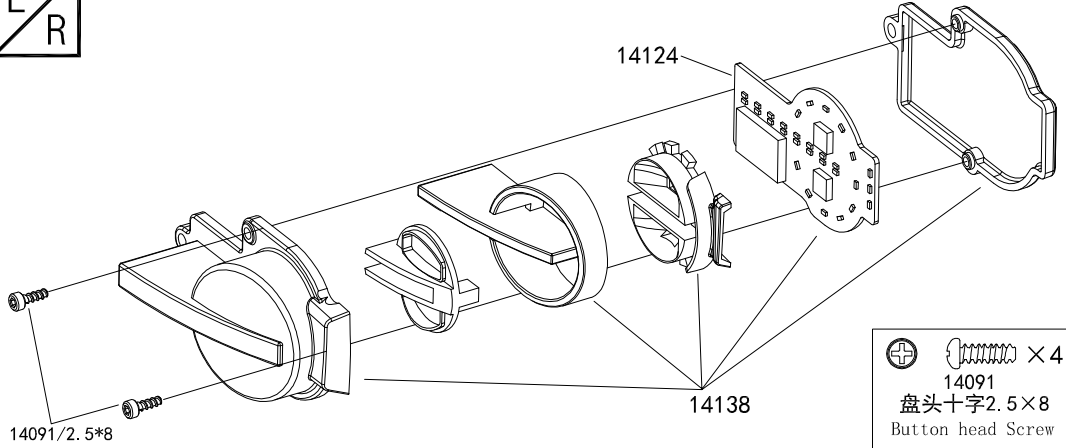
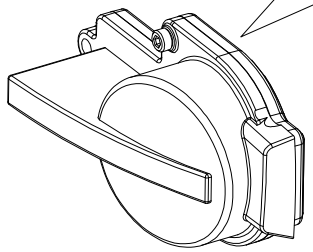
LED top light assemble


LED顶灯组装

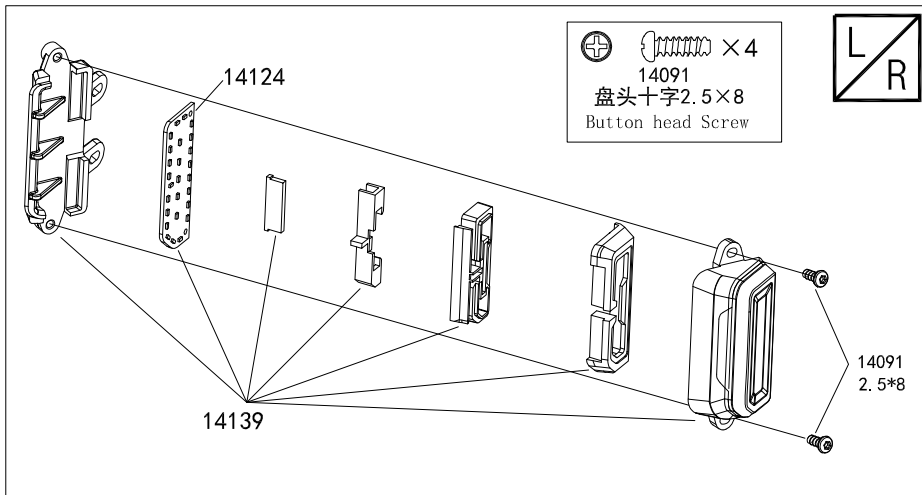



| |
|----------------------------------------------------------------------------------------------------------------------------------------------------------------------------|
|   × 2 |
| 14100 杯头2×6 CAP Screw |

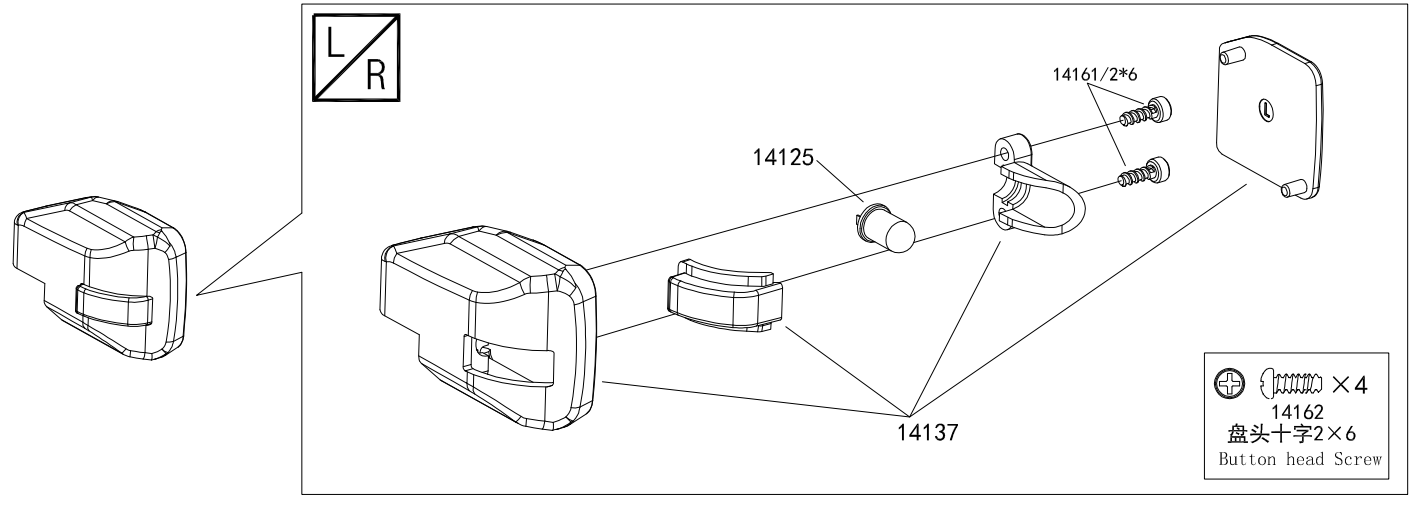
LED lights Assembly
车灯组



 $\times 4$
 14091
 盘头十字2.5×8
 Button head Screw




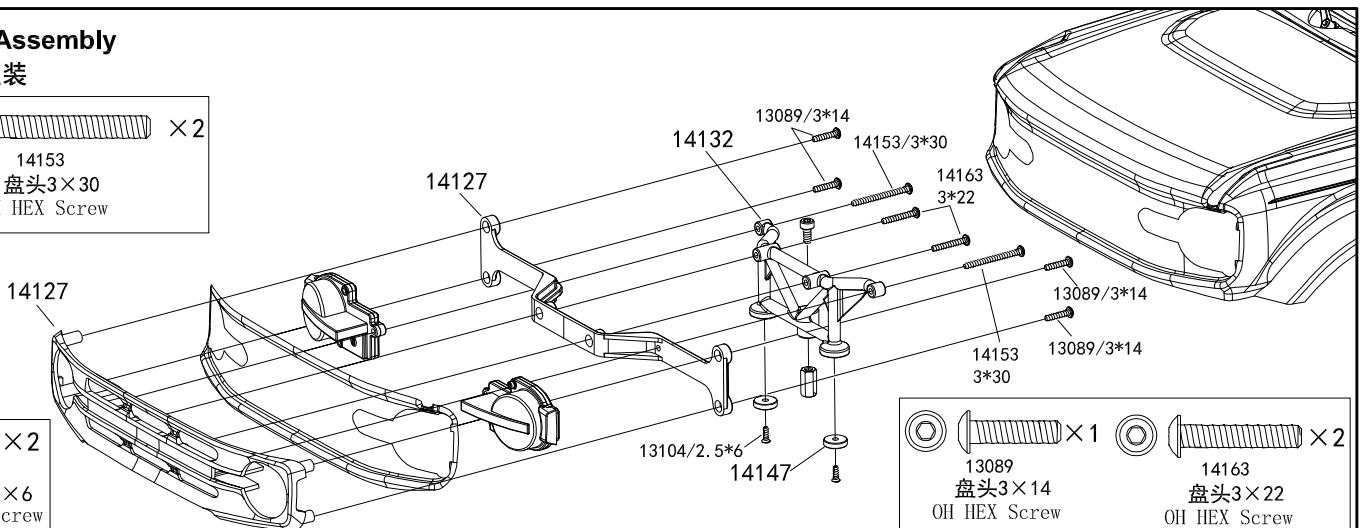
 $\times 4$
 14091
 盘头十字2.5×8
 Button head Screw






 $\times 4$
 14162
 盘头十字2×6
 Button head Screw

Body Assembly
车壳组装

 $\times 2$
 14153
 盘头3×30
 OH HEX Screw

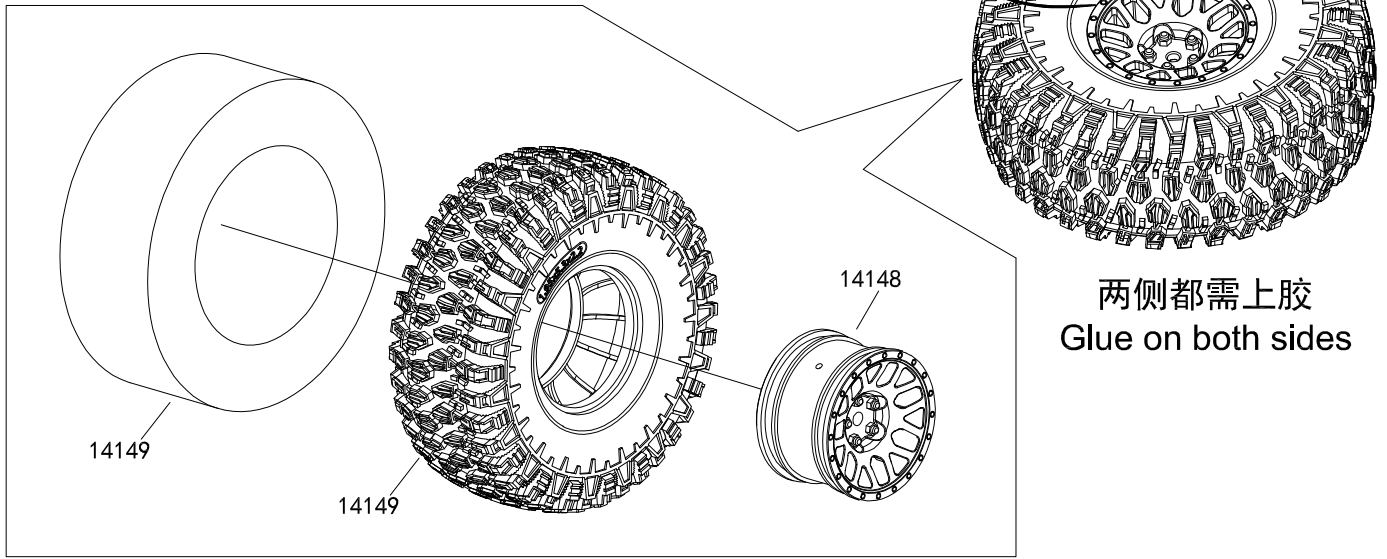


 $\times 2$
 13104
 平头2.5×6
 FH HEX Screw

 $\times 1$  $\times 2$
 13089 14163
 盘头3×14 盘头3×22
 OH HEX Screw OH HEX Screw

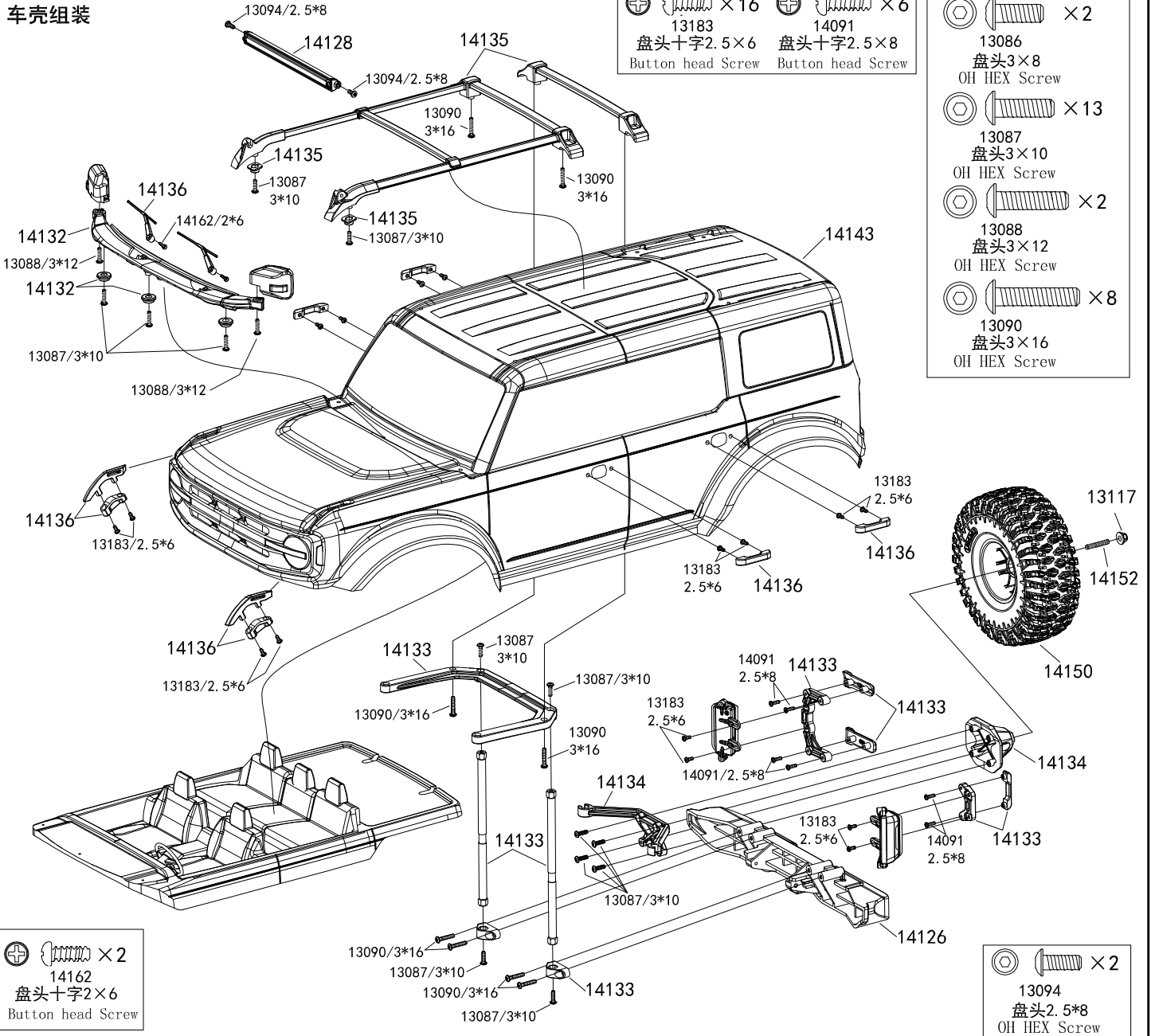
Tires Assembly

轮胎安装

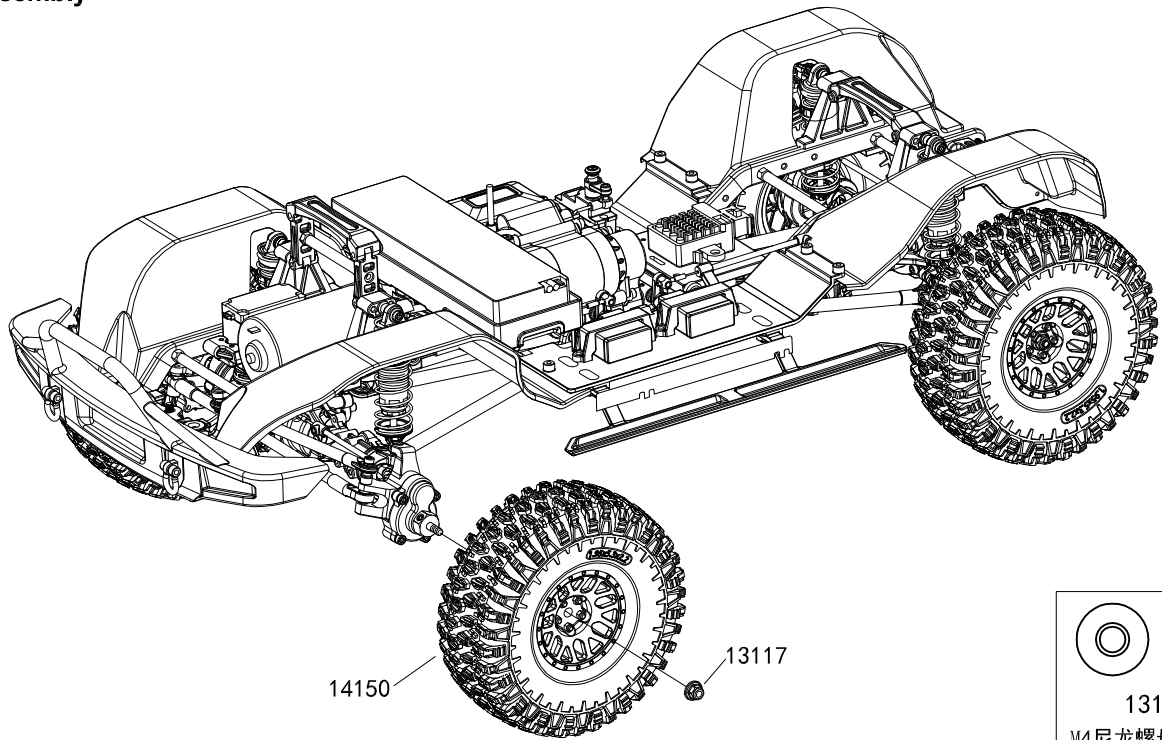


Body Assembly

车壳组装

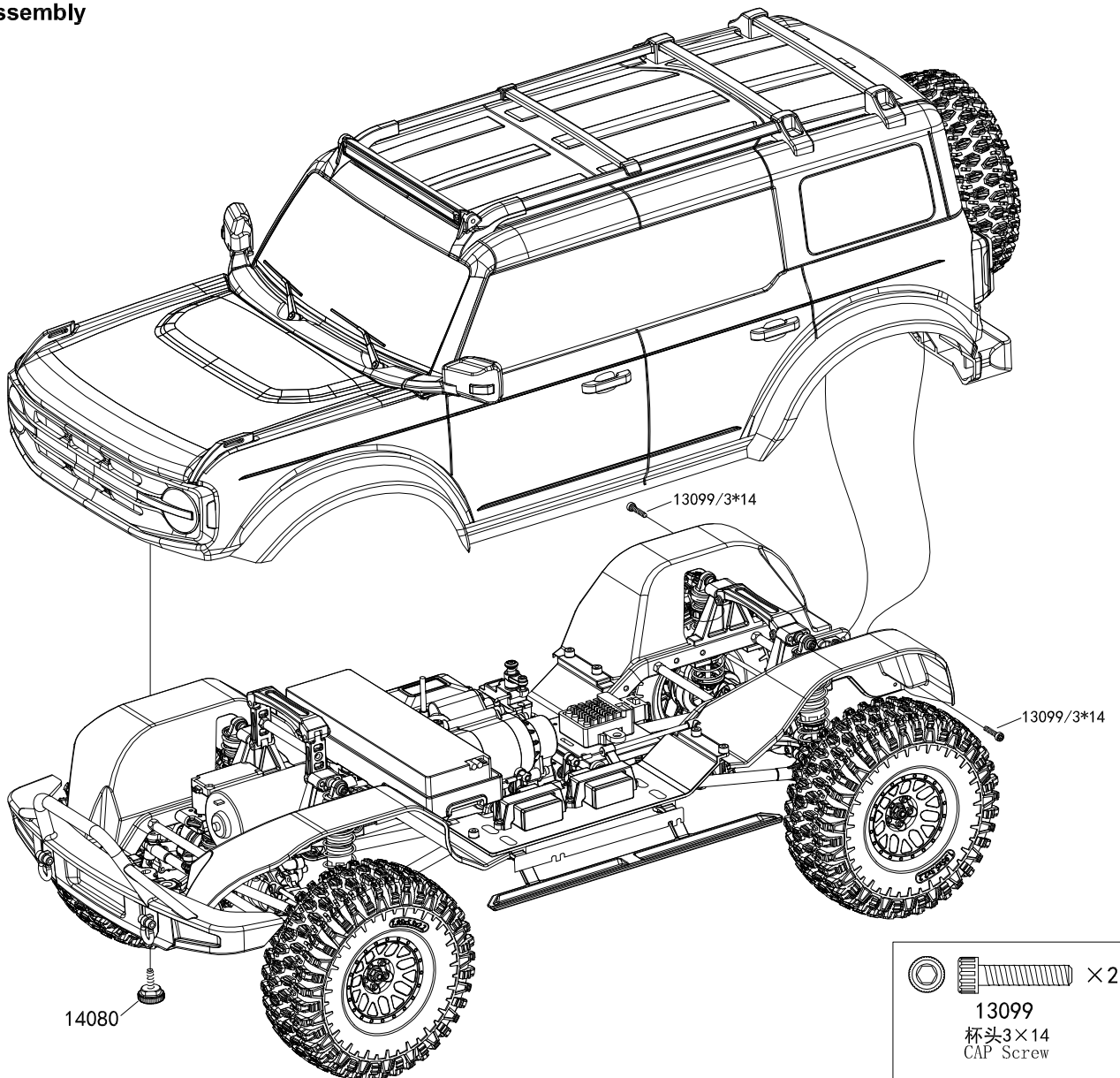


Tires Assembly
 轮胎安装



13117
 M4尼龙螺母 Lock NUT

Body Assembly
 车壳组

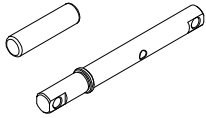
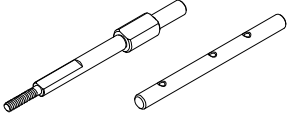
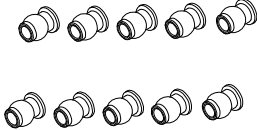
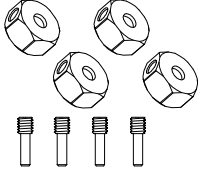
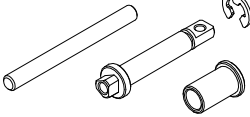
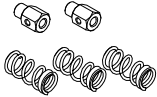
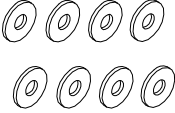
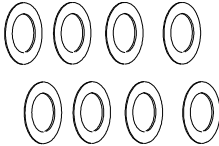
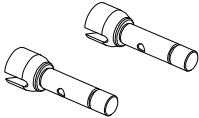
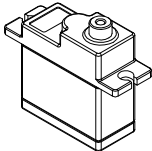
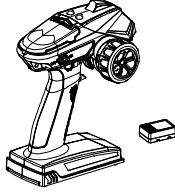
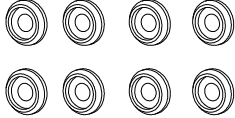
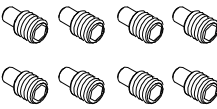
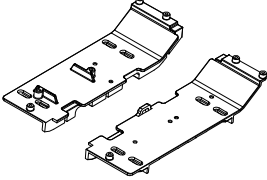
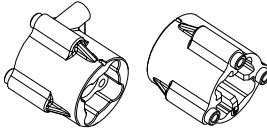
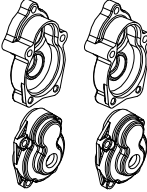
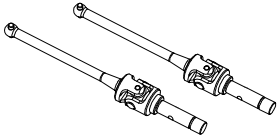
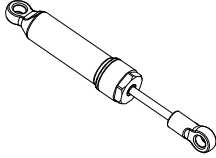
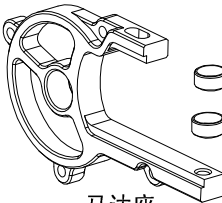
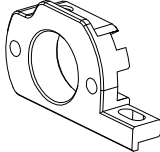


13099
 杯头3×14
 CAP Screw

配件表 Parts List

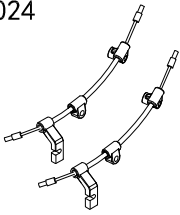
| | | | |
|--------------------------------------------------------------------------------------------------------------------------------------------|---------------------------------------------------------------------------------------------------------------------------------------------|-----------------------------------------------------------------------------------------------------------------------------------------------|--------------------------------------------------------------------------------------------------------------------------------------------|
| <p>14001</p>  <p>桥箱 Portal Axle Housing</p> | <p>14120</p>  <p>拉杆固定座 Linkage Mount</p> | <p>14002</p>  <p>C座 C Hub set</p> | <p>13003</p>  <p>轮轴座 Wheel Axle Mounting</p> |
| <p>13004</p>  <p>减速箱 Reduction Gearbox</p> | <p>13005</p>  <p>减速箱安装座 Reduction Gearbox Mount</p> | <p>13007</p>  <p>避震座 Shock Absorber Mount</p> | <p>13008</p>  <p>电池盒 Battery Case</p> |
| <p>13009</p>  <p>接收机盒 Receiver Case Set</p> | <p>13010</p>  <p>舵机座 Servo Mount</p> | <p>13014</p>  <p>拉杆球头座组 Ball Linkage Ends</p> | <p>13015</p>  <p>伺服臂组 Servo Arm Sets</p> |
| <p>13016</p>  <p>高低速拨叉 Speed Conversion Paddles</p> | <p>13017</p>  <p>差速壳 Differential Case</p> | <p>13019</p>  <p>减速大齿 Super Gear</p> | <p>13027</p>  <p>差速齿轮组 Differential Gears</p> |
| <p>13028</p>  <p>从动齿轮34T 34T Gear</p> | <p>13029</p>  <p>差速器 Differential Set</p> | <p>13030</p>  <p>差速锁紧座 Differential Lock Mounting</p> | <p>13031</p>  <p>轮轴齿轮28T/18T Wheel Axle Gears</p> |
| <p>13032</p>  <p>主动齿11T 11T Gear</p> | <p>13033</p>  <p>差速锁拨片 Differential Lock Paddles</p> | <p>13034</p>  <p>传动齿轮轴 Wheel Axle</p> | <p>13036</p>  <p>差速接杯 Differential Outdrives</p> |

配件表 Parts List

| | | | |
|-----------------------------------------------------------------------------------------------------------------------------------------------|----------------------------------------------------------------------------------------------------------------------------------------------------------------|------------------------------------------------------------------------------------------------------------------------------------------|----------------------------------------------------------------------------------------------------------------------------------------------|
| <p>13037</p>  <p>减速轴 Reduction Shaft</p> | <p>13038</p>  <p>过载保护夹片 Overland Protection Set</p> | <p>13039</p>  <p>传动齿轮轴 Transmission Gear Shaft</p> | <p>13051</p>  <p>避震球头 Shock Absorber Ball End</p> |
| <p>13052</p>  <p>拉杆球头 Linkage Ball End</p> | <p>13057</p>  <p>铝合金六角轮座 Aluminum Hex Nuts</p> | <p>13059</p>  <p>换速轴组 Speed Conversion Axle</p> | <p>13060</p>  <p>高低速拉杆 Speed Conversion Linkage</p> |
| <p>13061</p>  <p>舵机缓冲组 Servo Saver</p> | <p>13068</p>  <p>垫片6*2.5*0.5 Shims</p> | <p>13069</p>  <p>垫片8*5.1*0.2 Shims</p> | <p>13150</p>  <p>后横轮轴 Rear wheel Axle</p> |
| <p>13119</p>  <p>17G舵机 Servo</p> | <p>13130</p>  <p>发射机6通和接收机 6 Channel Transmitter & Receiver Set</p> | <p>13132</p>  <p>接收机 Receiver</p> | <p>13199</p>  <p>铝合金垫片 Alu Shims</p> |
| <p>13638</p>  <p>螺丝轴 Screw Axle</p> | <p>14004</p>  <p>左右护板 Left and Right Guard Board</p> | <p>14011</p>  <p>后桥连接块 Rear axle connector</p> | <p>14012</p>  <p>后轮轴座 Rear hub</p> |
| <p>14019</p>  <p>横万向传动轴 Horizontal Universal Shaft</p> | <p>14020</p>  <p>转向减震器 Steering Shock Absorber</p> | <p>14021</p>  <p>马达座 Motor Mount</p> | <p>14022</p>  <p>马达调整座 Motor Adjustment Mouting</p> |

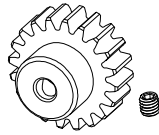
配件表 Parts List

14024



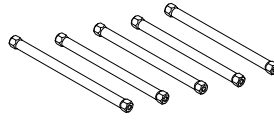
差速锁拉绳组
Differential Lock WiresF

14025



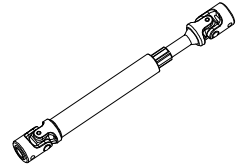
马达齿18T (轴孔5mm)
18T Pinion Gear

14027



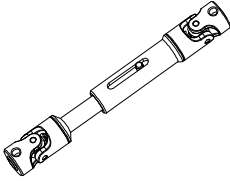
大梁支撑杆
Frame brace

14029



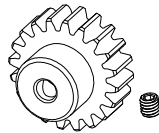
钢制纵万向传动轴
Steel Vertical Universal Shaft

14030



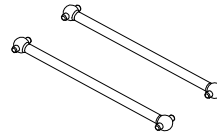
铝合金纵万向传动轴
Aluminum Vertical Universal Shaft

14031



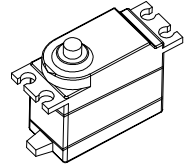
马达齿16T (轴孔5mm)
16T Pinion Gear

14047



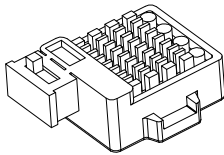
后横传动轴
Rear driveshaft

14060



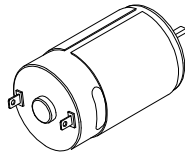
25KG舵机
Servo

14061



80A有刷电调
80A Brushed ESC

14062



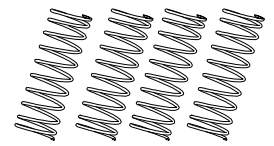
775有刷马达
Brushed Motor

14067



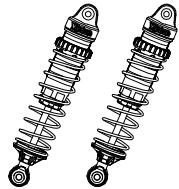
避震轴心
Shock Absorber shaft

14068



避震弹簧
Shock absorber springs

14069



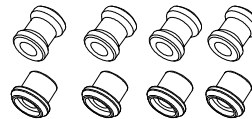
避震器组
Shock absorber set

14080



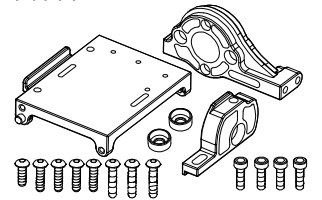
车壳固定螺栓
Body shell Fixed Bolt

14103



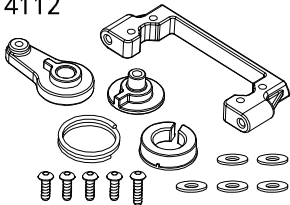
避震上固定座
Shock upper mount

14111



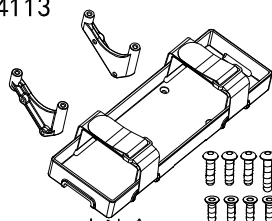
马达固定座/电调安装板
Motor Mounting/ESC Mounting Plate

14112



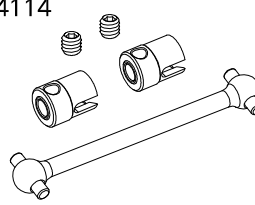
伺服臂组
Servo Arm Sets

14113



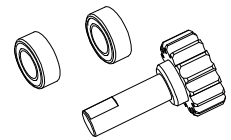
电池盒
Battery Case

14114



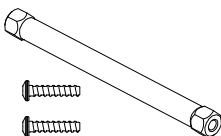
接杯/狗骨组
Drive Shaft Outdrives

14115



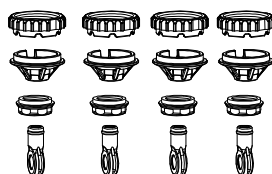
马达齿16T
Pinion Gear

14117



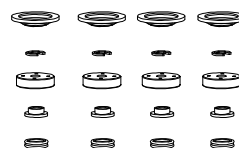
大梁支撑杆
Frame brace

14121



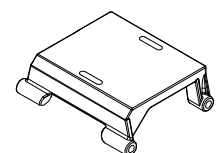
避震零件包A
Shock parts pack A

14122



避震零件包B
Shock parts pack B

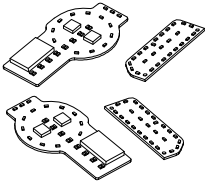
14123



车架固定座
Chassis Mount

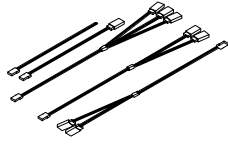
配件表 Parts List

14124



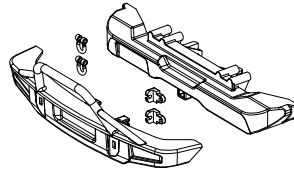
LED灯板
LED Strip

14125



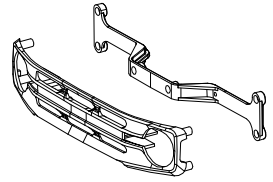
全车灯线组
Lights Wiring Harness set

14126



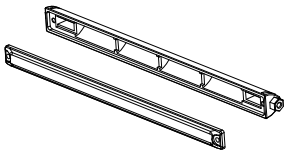
防撞架
Bumper

14127



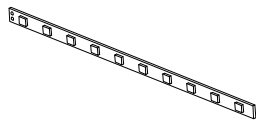
中网
Air Grill

14128



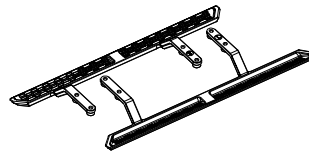
灯条固定座
Light Bar Mount

14129



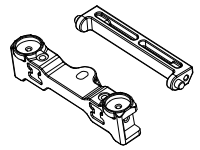
LED灯条
LED Strip

14130



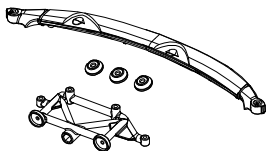
脚踏板
Foot readles

14131



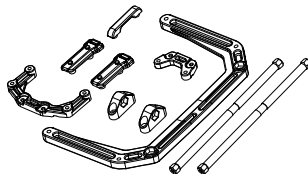
车架固定座
Chassis Mount

14132



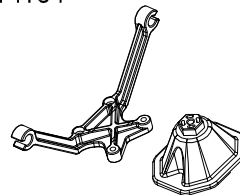
后视镜固定座
Rearview Mirror Mount

14133



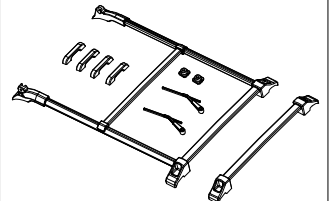
车壳后支撑
Body shell rear poet

14134



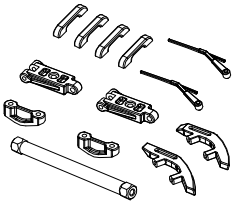
备胎架组
Spare tire rack

14135



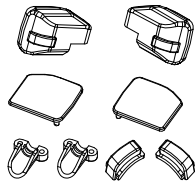
行李架
Roof Rack

14136



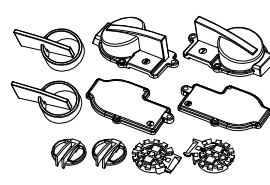
车壳配件组
Body Accessory Parts

14137



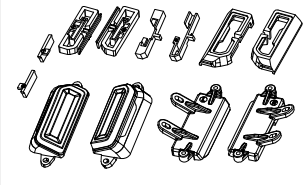
后视镜配件组
Rearview Mirror Parts Set

14138



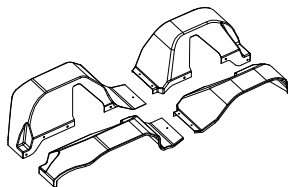
前大灯组
Head Light Set

14139



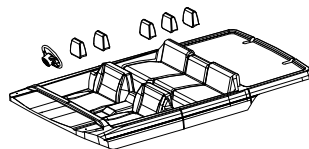
尾灯组
Tail Light Set

14140



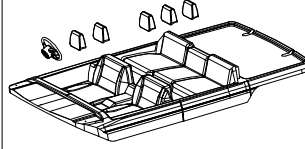
沙板
Wheel Fender

14141



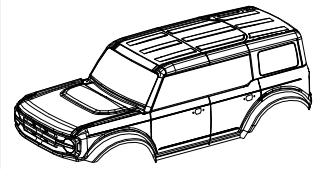
喷油驾驶舱PC
Paint Driver Insert PC Panel

14142



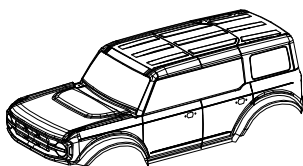
透明驾驶舱PC
Transparent Cockpit

14143



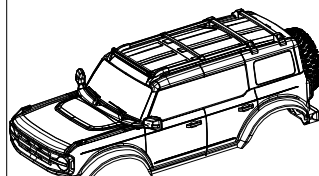
喷油车壳PC
Body shell

14144



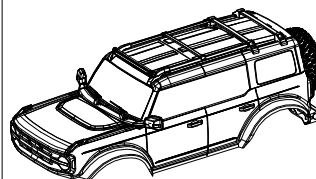
透明车壳PC
Transparent Bodyshell

14145



喷油车壳组
Body Assembly

14146



透明车壳组
Transparent Body Assembly

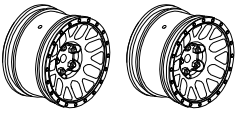
14147



车壳磁铁扣
Bodysshell Magnet Button

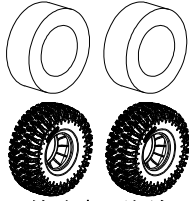
配件表 Parts List

14148



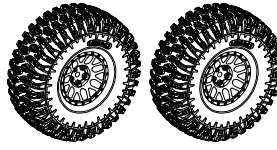
轮框
Gray Rims

14149



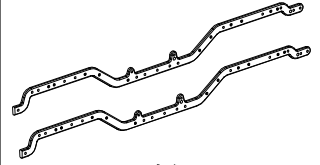
轮胎皮, 海绵
Tires & Foams

14150



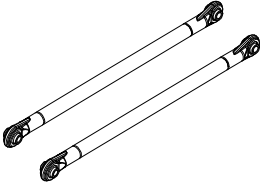
轮胎组
Wheels

14151



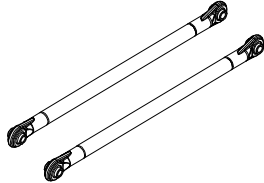
大梁
Chassis Frame

14155



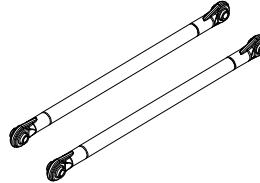
拉杆前上 (SUS304)
Linkage front upper (SUS304)

14156



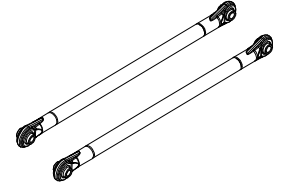
拉杆前下 (SUS304)
Linkage front lower (SUS304)

14157



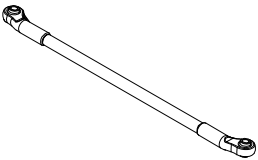
拉杆后上 (SUS304)
Linkage rear upper (SUS304)

14158



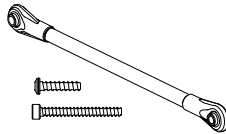
拉杆后下 (SUS304)
Linkage rear lower (SUS304)

14159



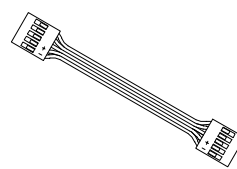
转向拉杆 (SUS304)
Steering Linkage (SUS304)

14160



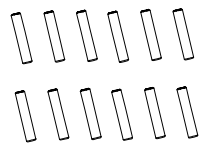
伺服拉杆 (SUS304)
Servo Linkage (SUS304)

14161



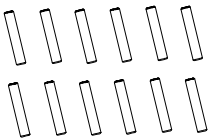
灯组排线
Lights Flat Cable

13074



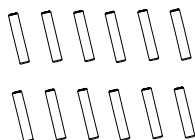
2*8销子
Pins

13075



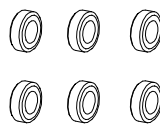
2*10销子
Pins

13077



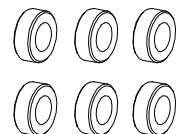
2.5*10销子
Pins

13078



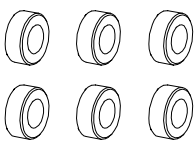
轴承7*4*2.5
Ball Bearing

13079



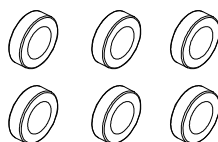
轴承9*5*3
Ball Bearing

13080



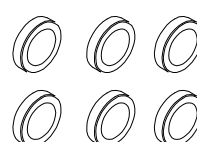
轴承10*5*4
Ball Bearing

13081



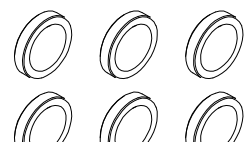
轴承14*8*4
Ball Bearing

13082



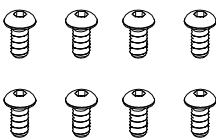
轴承18*12*4
Ball Bearing

13083



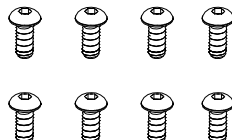
轴承21*15*4
Ball Bearing

13084



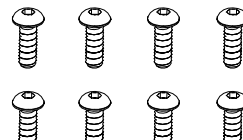
盘头内六角螺丝M3*6
Button Head Screws

13086



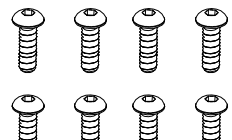
盘头内六角螺丝M3*8
Button Head Screws

13087



盘头内六角螺丝M3*10
Button Head Screws

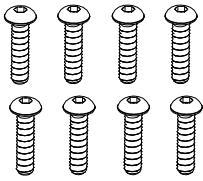
13088



盘头内六角螺丝M3*12
Button Head Screws

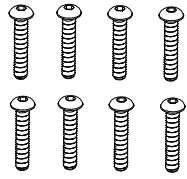
配件表 Parts List

13089



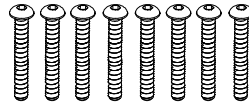
盘头内六角螺丝M3*14
Button Head Screws

13090



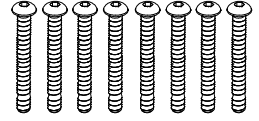
盘头内六角螺丝M3*16
Button Head Screws

13091



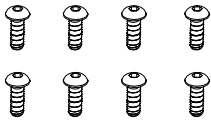
盘头内六角螺丝M3*18
Button Head Screws

13092



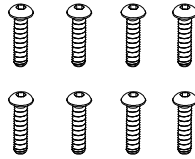
盘头内六角螺丝M3*25
Button Head Screws

13094



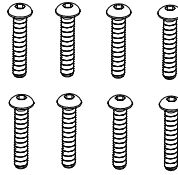
盘头内六角螺丝M2.5*8
Button Head Screws

13095



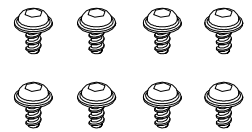
盘头内六角螺丝M2.5*14
Button Head Screws

13159



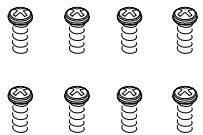
盘头内六角螺丝M2.5*16
Button Head Screws

13177



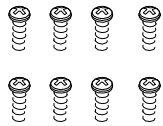
盘头内六角螺丝M2*4
Button Head Screws

13183



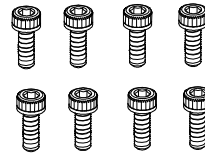
盘头十字自攻牙螺丝ST2.5*6
Button head Self-tapping screws

14091



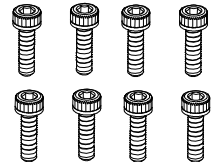
盘头十字自攻牙螺丝ST2.5*8
Button head Self-tapping screws

13097



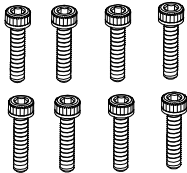
杯头内六角螺丝M3*10
Cap Head Screws

13098



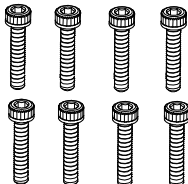
杯头内六角螺丝M3*12
Cap Head Screws

13099



杯头内六角螺丝M3*14
Cap Head Screws

13100



杯头内六角螺丝M3*18
Cap Head Screws

13101



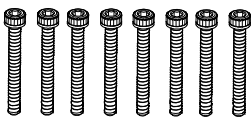
杯头内六角螺丝M3*24
Cap Head Screws

13102



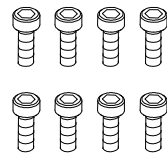
杯头内六角螺丝M3*28
Cap Head Screws

13103



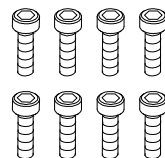
杯头内六角螺丝M3*32
Cap Head Screws

14050



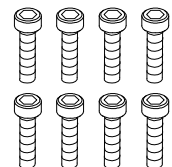
杯头内六角螺丝M4*8
Cap Head Screws

14051



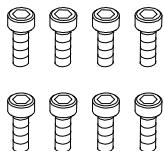
杯头内六角螺丝M4*10
Cap Head Screws

13222



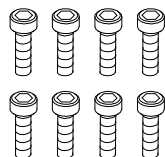
杯头内六角螺丝M4*16
Cap Head Screws

13180



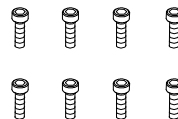
杯头内六角螺丝M2.5*10
Cap Head Screws

14099



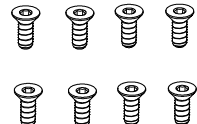
杯头内六角螺丝M2.5*12
Cap Head Screws

14100



杯头内六角螺丝M2*6
Cap Head Screws

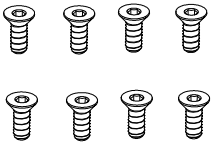
13104



平头内六角螺丝M2.5*6
Flat Head Screws

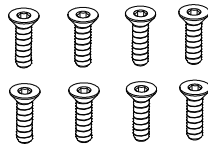
配件表 Parts List

13107



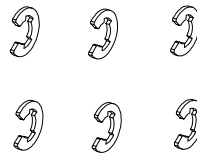
平头内六角螺丝M3*8
Flat Head Screws

13108



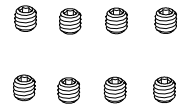
平头内六角螺丝M3*12
Flat Head Screws

13111



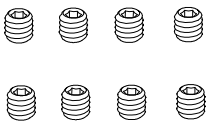
4.0E扣
E Clip

13112



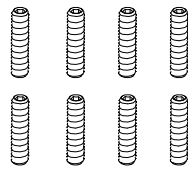
机米3*3
Headless Screws

13113



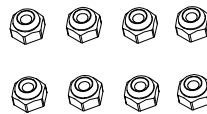
机米4*4
Headless Screws

13114



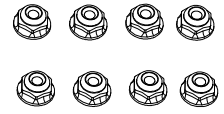
机米3*20
Headless Screws

13115



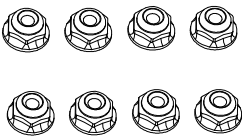
M3尼龙螺母
Lock Nuts

13116



M3法兰螺母
Flange Lock Nuts

13117



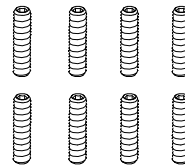
M4法兰螺母
Flange Lock Nuts

14104



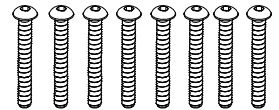
杯头内六角螺丝M3*22
Cap Head Screws

14152



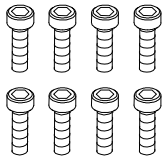
机米4*20
Headless Screws

14153



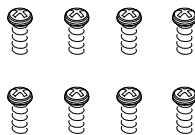
盘头内六角螺丝M3*30
Button Head Screws

14154



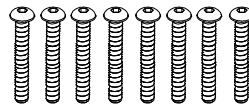
杯头内六角螺丝M4*12
Cap Head Screws

14162



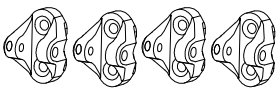
盘头十字自攻牙螺丝ST2*6
Button head Self-tapping screws

14163



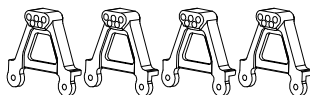
盘头内六角螺丝M3*25
Button Head Screws

12004



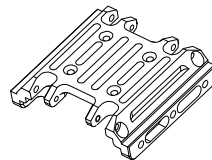
CNC铝合金拉杆固定座
Alu Linkage Mount

12005



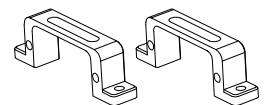
CNC铝合金避震座
Alu Shock Tower

12006



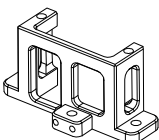
CNC铝合金中安装座
Alu Gear Box Mount

12007



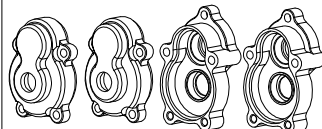
CNC铝合金差速锁舵机座
Alu Differential Lock Servo Mount

12008



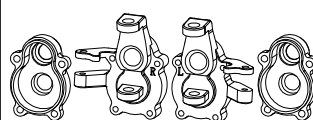
CNC铝合金高低速舵机座
Alu Servo Mount for 2-Speed Gear Box

12011



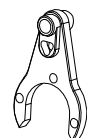
CNC铝合金后轴承座
Alu Rear Hub Set

12014



CNC铝合金转向座左/右
Alu Steering Mount L/R

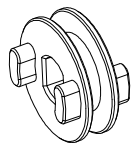
12015



CNC铝合金变速拨叉
Alu Gear Shift Fork

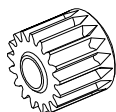
配件表 Parts List

12016



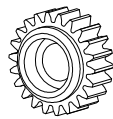
CNC 铝合金变速座
Alu Gear Shift Mount

12017



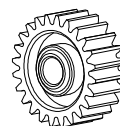
钢制传动齿轮17T
Steel Transmission Gear 17T

12018



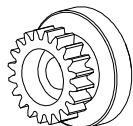
钢制传动齿轮22T
Steel Transmission Gear 22T

12019



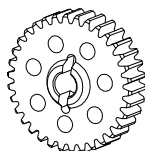
钢制传动齿轮24T
Steel Transmission Gear 24T

12020



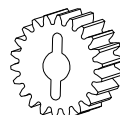
钢制低速齿轮20T
Steel Low-Speed Gear 20T

12021



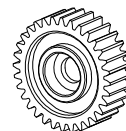
钢制低速齿轮34T
Steel Low-Speed Gear 34T

12022



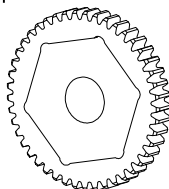
钢制高速齿轮22T
Steel High-Speed Gear 20T

12023



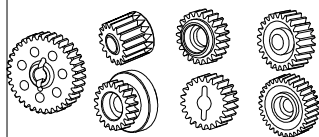
钢制高速齿轮32T
Steel High-Speed Gear 20T

12024



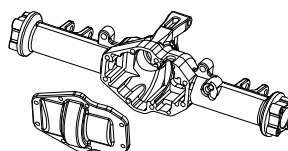
钢制减速大齿轮45T
Steel Reduction Gear 45T

12025



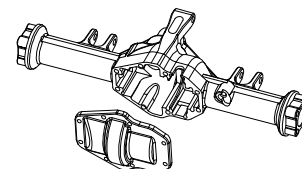
钢制齿轮组
Steel Transmission Gear Set

12026



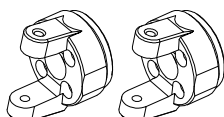
CNC 铝合金前桥箱
Alu Diff Gear Box for Front Axle

12027



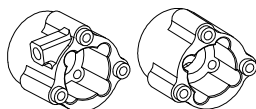
CNC 铝合金后桥箱
Alu Diff Gear Box for Rear Axle

12028



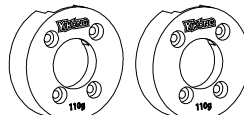
CNC 铝合金C座
Alu Caster Block

12029



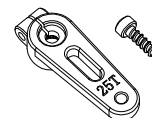
CNC 铝合金后轴转接座
Alu Rear Axle Adapter L/R

13195



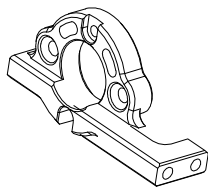
CNC 配重块/110克
Metal Clump Weight

12030



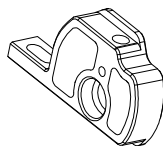
CNC 铝合金伺服臂25T
Alu Servo Arm 25T

12038



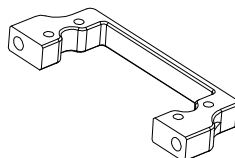
CNC 铝合金马达固定座
Alu Motor Mount

12039



CNC 铝合金调整座
Alu Adjustment Mounting

12040



CNC 铝合金转向舵机座
Alu Steering Servo Mount